

2021
Safety brake Jingu control
安全制动·金箍掌控



河南金箍制动器股份有限公司
HENAN JINGU BRAKE CO., LTD.

版权所有 翻印必究

Add:
河南省长垣市起重工业园区
Crane Industrial Park, Changyuan City, Henan Province, China

Tel:
+86 0373-872 8888 872 9999

E-mail:
hngzdzq@163.com

English Website:
<https://www.jingucranebrake.com>

Website:
<http://www.hnjgzdq.cn>



由于公司坚持在产品开发中不断改进的原则，因此产品的规格可能有所变更，恕不另行通知。
As the company persists in the principle of continuous improvement in production and development, the specifications of the product may be changed without notice.

图号 / 规格号 / 132113070353

安全化 / 高效化 / 系统化 

金箍制动器 JINGU BRAKE

致力安全制动，助力工业强国
Committed to Safe Braking and Powerful Industrial Countries

工业制动器
INDUSTRIAL BRAKES



安全高效的工业制动系统提供商

河南金箍制动器股份有限公司
HENAN JINGU BRAKE CO., LTD.

中国·长垣
CHINA CHANGYUAN



工业制动与安全防风
Industrial Brake And Safety Precautions

金箍制动器
JINGU BRAKE

安全制动 金箍掌控
Safety brake Jingu control



2021
Series of products
MADE BY JINGU BRAKE

JINGU

COMPANY INTRODUCTION

企业简介

河南金箍制动器股份有限公司专注传动行业二十余年，商标中豫金箍，是一家集制动器研发、制造、销售与服务为一体的综合性现代化企业。主营产品：鼓式制动器、防爆制动器、电机盘式制动器、液压失效保护盘式制动器、臂盘式制动器、钳盘式制动器、液压安全制动器、电磁安全制动器、轮边制动器、防风铁模制动器、液压夹轨器、防风制动器、脚踏制动器、手动制动器以及推动器、电磁铁、液压站等上千类产品，广泛应用于起重、运输、冶金、矿山、船舶、机械等多个行业领域。长期以来与马鞍山钢铁、青拓镍业、中铁十四局集团、河南矿山、卫华集团、新乡中原、鞍钢集团等众多知名企业达成战略合作，产品远销海外，出口越南、印尼、新加坡、俄罗斯、东南亚等数十个国家和地区。

初心+理念+坚守 用行动铸就企业发展与未来

品质改变世界，服务创造价值，不变的是客户需求至上的理念，始终坚守的是对用户需求的认真满足和源源不断的自我打磨。河南金箍在发展中不断突破，在制动器领域持续深耕，在制造业发展的大道上步履铿锵，交出了一份企业推动行业发展的精彩答卷。如今，“高质量制动器”已然成为河南金箍耀眼的底色，一个充满活力、务实奋进的制动企业正奋力崛起，河南金箍将继续坚持“诚信、高效、创新、安全、共赢”的理念，向着行业灯塔的方向快速起航。

Henan JINGU brake Co., Ltd. has been devoted to power transmission industry for more than 20 years, referred to as Zhongyu Jingu for short. It is a comprehensive modern enterprise integrating brake research, development, manufacturing, sales and service. Main Products: Drum Brake, Explosion-proof Brake, Motor Disc Brake, Hydraulic Failure Protection Disc Brake, Arm Disc Brake, Caliper Disc Brake, Hydraulic Safety Brake, Electromagnetic Safety Brake, Wheel Side Brake, Wind-proof Iron Wedge Brake, Hydraulic Clamping Rail Brake, Wind-proof Brake, Foot Brake, Manual Brake and Pusher, Solenoid, Solenoid, Hydraulic station and other thousands of products are widely used in lifting, transportation, metallurgy, mining, shipping, machinery and other industries. For a long time, we have reached strategic cooperation with many well-known enterprises, such as Maanshan Steel, Qing Tuo nickel industry, China Railway 14th Bureau Group, Henan Mine, Weihua Group, Xinxiang Zhongyuan, Anshan Steel Group, etc. Our products are sold overseas and exported to tens of countries and regions such as Vietnam, Indonesia, Singapore, Russia and Southeast Asia.

Focus + Idea + Adherence to Actions to found enterprise development and future

Quality changes the world and service creates value, unchanged is the concept of customer needs first, and always adheres to the conscientious satisfaction of customer needs and the continuous self-polishing. Henan JINGU has made breakthroughs in its development, cultivated deeply in the field of brakes, paced the main road of manufacturing development, and delivered an excellent answer sheet for enterprises to promote the development of the industry. Nowadays, "high-quality brake" has become the dazzling background of Henan JINGU. A dynamic and pragmatic brake enterprise is striving to rise. Henan JINGU will continue to adhere to the concept of "integrity, efficiency, innovation, safety and win-win, and set sail fast in the direction of industry lighthouse.



Chairman

JINGU

ENTERPRISE CONCEPT

企业理念

设备+认证+质检 三合一为品质护航

品质为企业命脉。为生产出更优质、精度更高的制动产品，金箱率先引进智能机器人、激光切割机、液压折弯机、数控机床等多种现代加工设备200余台，满足产品更高层次制作需求。企业先后通过了GB/T19001-ISO9001质量管理体系、GB/T24001-2016环境管理体系、ISO45001-2018职业健康安全管理体系等多项相关检测，同时荣获德国起重智能制动装置实用新型专利证书。产品生产流程严格遵守QS质量管理体系标准，做到有章可循、有法可依，保证产品生产程序完善，产品质量管理有序进行。重视采用多种品质管理方法，追求产品“零缺陷”，在产品生产过程中，一程序一质检，及时发现问題，解决问题，确保制动产品品质合格。

团队+工艺+技术 硬设施软实力保障服务全流程

河南金箱从团队、工艺、技术等方面入手，着力实现公司团队素质精良、工艺精良、技术精良。在生产过程中，始终践行整套完善的工艺标准，注重制动器从设计到生产的每一个环节，对每一台产品认真负责，为客户提供高标准、高品质服务。多年来，从生产管理到服务队伍，培养了大批技术过硬的专业人才，打造出一支经验丰富、高素质的生产队伍。公司重视资源整合，依托各类计算机信息化系统，将企业信息及用户需求录入数据库，加强信息化建设，不断践行为用户全流程服务。

Equipment+Certification+Quality Inspection in one for quality escort

Quality is the lifeblood of the enterprise. In order to produce brake products with higher quality and precision, JINGU is the first to introduce more than 200 modern processing equipments, such as intelligent robots, laser cutters, hydraulic benders, CNC machine tool and so on, to meet the requirements of higher-level production. The company has successively passed several related tests such as GB/T19001-ISO9001 quality management system, GB/T24001-2016 environmental management system, ISO45001-2018 occupational health and safety management system, and won the patent certificate of utility model of intelligent brake device of German crane. The production process strictly abides by QS quality system standards, so as to have rules to follow and laws to follow, to ensure the perfect production process and orderly product quality management. Attention should be paid to adopting various quality management methods to pursue "zero defect" of products. During the production process, one procedure and one quality inspection should be carried out to find problems in time, solve problems and ensure the product quality is qualified.

Team+Process+Technical Hardware soft strength guarantee service process

Henan JINGU starts with team, process and technology, and focuses on achieving excellent team quality, process and technology. In the production process, we always practice a complete set of perfect process standards, pay attention to every step of brake design and production, take serious responsibility for each product, and provide customers with high standards and quality service. Over the years, from production management to service team, a large number of highly skilled professionals have been cultivated, creating an experienced production team. The company attaches importance to resource integration, relying on various computer information systems, input enterprise information and user needs into the database, strengthen information construction, and constantly practice the whole process service of users.

WWW.HNJGZDQ.CN



金箱品质 倾力赢得市场
JINGU quality in the market to win the market



JINGU

QUALIFICATION CERTIFICATE

资质证书

承荣载誉 星辉四射

河南金箱制动器通过GB/T19001-ISO9001质量管理体系、GB/T24001-2016环境管理体系、ISO45001-2018职业健康安全管理体系等多项相关检测，同时荣获德国起重智能制动装置实用新型专利证书。

Henan JINGU brake has passed a number of relevant tests such as GB/T19001-ISO9001 quality management system, GB/T24001-2016 environmental management system, ISO45001-2018 occupational health and safety management system, and the German patent certificate for utility model of crane intelligent braking device.



CONTENTS 目录

鼓式制动器 DRUM BRAKES

YWZ ₄ (Ed)系列电力液压鼓式制动器 YWZ ₄ (Ed) SERIES ELECTRO-HYDRAULIC DRUM BRAKES	002
YWZ ₄ (YT ₁)系列电力液压鼓式制动器 YWZ ₄ (YT ₁) SERIES ELECTRO-HYDRAULIC DRUM BRAKES	003
YWZ ₄ -A系列电力液压鼓式制动器 YWZ ₄ -A SERIES ELECTRO-HYDRAULIC DRUM BRAKES	004
YWZ ₆ /YWZ ₆ 系列电力液压鼓式制动器 YWZ ₆ /YWZ ₆ SERIES ELECTRO-HYDRAULIC DRUM BRAKES	005
YWZ ₈ 系列电力液压鼓式制动器 YWZ ₈ SERIES ELECTRO-HYDRAULIC DRUM BRAKES	007
YWZ ₁₀ 系列电力液压鼓式制动器 YWZ ₁₀ SERIES ELECTRO-HYDRAULIC DRUM BRAKES	009
YW系列电力液压鼓式制动器 YW SERIES ELECTRO-HYDRAULIC DRUM BRAKES	011
YWW系列电力液压鼓式制动器 YWW SERIES ELECTRO-HYDRAULIC DRUM BRAKES	013
YW-E系列二级电力液压鼓式制动器 YW-E SERIES TWO-STAGE ELECTRO-HYDRAULIC DRUM BRAKES	015
YW-K系列常开型电力液压鼓式制动器 YW-K SERIES OFTEN OPEN ELECTRO-HYDRAULIC DRUM BRAKES	017
YW-L系列电力液压鼓式制动器 YW-L SERIES ELECTRO-HYDRAULIC DRUM BRAKES	019
YW-P系列电力液压鼓式制动器 YW-P SERIES ELECTRO-HYDRAULIC DRUM BRAKES	021
YW-Q系列液压气动两用鼓式制动器 YW-Q SERIES HYDRAULIC PNEUMATIC DUAL-PURPOSE DRUM BRAKES	023

QWZ ₆ 系列气动鼓式制动器 QWZ ₆ SERIES PNEUMATIC DRUM BRAKES	025
TYWZ ₂ 系列脚踏液压鼓式制动器 TYWZ ₂ SERIES FOOT OPERATED HYDRAULIC DRUM BRAKES	027
JZ系列节能电磁铁鼓式制动器 JZ SERIES ENERGY SAVING ELECTROMAGNETIC DRUM BRAKE	029
ZWZ _A 系列直流电磁鼓式制动器 ZWZ _A SERIES DC ELECTROMAGNETIC DRUM BRAKE	031
TYW系列液压鼓式制动器 TYW SERIES HYDRAULIC DRUM BRAKE	034
ZWZ ₃ 系列直流电磁鼓式制动器 ZWZ ₃ SERIES DC ELECTROMAGNETIC DRUM BRAKE	035
MW(Z)系列电磁铁鼓式制动器 MW(Z) SERIES ELECTROMAGNETIC DRUM BRAKES	037
YWZ ₄ 厂用防爆型电力液压鼓式制动器 YWZ ₄ EXPLOSION PROTECTED ELECTRO-HYDRAULIC DRUM BRAKES	039
YWZ ₆ 矿用防爆型电力液压鼓式制动器 YWZ ₆ EXPLOSION PROTECTED ELECTRO-HYDRAULIC DRUM BRAKES	041

盘式制动器 DISC BRAKES

YPZ ₂ 系列电力液压臂盘式制动器 YPZ ₂ SERIES ELECTRO-HYDRAULIC DISC BRAKES	043
QP/QCP系列气动钳盘式制动器 QP/QCP SERIES PNEUMATIC DISC BRAKES	049
SB系列安全制动器 SB SERIES SAFETY BRAKES	052
SBD-A系列安全制动器 SBD-A SERIES SAFETY BRAKES	055
SBD-B系列安全制动器 SBD-B SERIES SAFETY BRAKES	057
SBD-C系列安全制动器 SBD-C SERIES SAFETY BRAKES	059
SBD-D系列安全制动器 SBD-D SERIES SAFETY BRAKES	061
SE系列电磁失效保护盘式制动器 SE SERIES ELECTROMAGNETIC FAILURE PROTECTION DISC BRAKES	063
SH系列液压失效保护盘式制动器 SH SERIES HYDRAULIC FAILURE PROTECTION DISC BRAKES	069
ADP系列气动直动制动器 ADP SERIES PNEUMATIC STRAIGHT MOVING BRAKES	079
DJPZ系列电机盘式制动器 DJPZ SERIES MOTOR DISC BRAKES	081

防风制动器 STORM BRAKES

YFX系列电力液压防风铁楔制动器 YFX SERIES ELECTRO-HYDRAULIC STORM BRAKING WEDGES BRAKES	083
YLBZ系列液压轮边制动器 YLBZ SERIES HYDRAULIC WHEEL BRAKES	085
YJGQ系列液压夹轨器 YJGQ SERIES HYDRAULIC RAIL CLAMP	087
XJYT系列液压夹轨器 XJYT SERIES HYDRAULIC RAIL CLAMP	088

驱动装置 DRIVING DEVICE

Ed系列电力液压推动器 Ed SERIES ELECTRO-HYDRAULIC THRUSTERS	089
ZED交流两用电力液压推动器 ZED AC DUAL-PURPOSE ELECTRO-HYDRAULIC THRUSTERS	094
YT ₁ 系列电力液压推动器 YT ₁ SERIES ELECTRO-HYDRAULIC THRUSTERS	095
BE _d 系列隔爆型电力液压推动器 BE _d SERIES EXPLOSION PROTECTED ELECTRO-HYDRAULIC THRUSTERS	097
BYT ₁ 系列隔爆型电力液压推动器 BYT ₁ SERIES EXPLOSION PROTECTED ELECTRO-HYDRAULIC THRUSTERS	099
DYT系列电液推杆 DYT SERIES ELECTRO-HYDRAULIC PUSHERS	101
YZ(J)系列液压站 YZ(J) SERIES HYDRAULIC POWER UNIT	107



YWZ4系列电力液压鼓式制动器

YWZ4 SERIES ELECTRO-HYDRAULIC DRUM BRAKES

应用 Application

- YWZ4系列电力液压鼓式制动器，广泛用于起重、运输、冶金、矿山、港口、码头、建筑机械等机械驱动装置的减速和停车制动。

APPLICATION

YWZ4 series electric hydraulic drum brake is widely used for deceleration and parking brake of mechanical driving devices such as lifting, transportation, metallurgy, mine, port, wharf, construction machinery and so on.

符合标准 Standards Compliant

- YWZ4系列电力液压制动器的安装尺寸和制动力矩参数符合JB/ZQ4388-2006标准。技术要求符合JB/T6406-2006标准。

STANDARDS COMPLIANT

The dimensions and braking torque parameters of YWZ4 series brakes comply with JB/ZQ4388-2006 standard, technology requirements comply with JB/T6406-2006 standard.

主要特点 Main Feature

- 性能安全可靠，制动平稳，动作频率高。
- 主要摆动铰点均设有自润滑轴承，传动效率高，寿命长，使用过程中无需润滑。
- 常闭式设计，（断电）弹簧制动，（通电）推动器释放。
- 制动衬垫为卡装式整体成型结构，安全可靠，更换方便、快捷。

注：YWZ4(YT-)制动器出厂时配备铆接式制动瓦，如需更换请注明。

MAIN FEATURE

- Safe and reliable performance, smooth braking, high action frequency.
- Main hinge points are equipped with self-lubricating bearing, making high efficiency of transmission, long service life. Lubricating is unnecessary during operation.
- Normally closed design, (power off) spring brake, (power on) thruster release.
- The brake pad is a card mounted integral forming structure, which is safe and reliable, and it is convenient and quick to replace.

Note: YWZ4(YT) brake is equipped with riveted brake pad when it is delivered. Please indicate if it is necessary to replace it.

使用条件 Operating Condition

- 环境温度：-20℃~+50℃
- 周围工作环境中不得有易燃、易爆及腐蚀性气体，否则采用防爆、防腐型产品。
- 相对湿度：空气相对湿度不大于90%
- 使用地点的海拔高度符合GB755-2019
- 有特殊要求时，在订货时协商确定。

OPERATING CONDITION

- Ambient temperature: -20℃~+50℃
- Flammable, explosive and corrosive gases are not allowed in the surrounding working environment, otherwise explosion-proof and anti-corrosion products are used.
- Relative humidity: the relative humidity of the air is not more than 90%
- The altitude of the place of use conforms to GB755-2019
- Special requirements can be discussed before production.

安装型式 Installation Type

- 制动衬垫的安装型式有两种：铆接式和插入式
There are two types of brake pad installation: riveting type and plug-in type.

型号意义 Model Significance

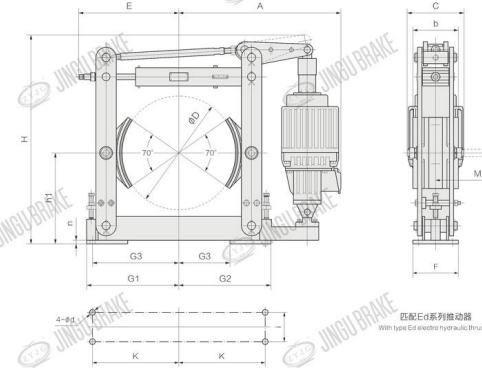


产品示例 Product Examples

- 轮径φ300mm，推动器Ed50/6 标记为: YWZ4-300/E50
- 轮径φ400mm，推动器YT1-90Z/8 标记为: YWZ4-400/90

安装及外形尺寸 Outline And Installation Dimension

替代原YWZ4e系列制动器



YWZ4 (Ed)系列 Series

YWZ4 (Ed)系列鼓式制动器技术参数及外形尺寸 TECHNICAL DATA AND DIMENSIONS OF YWZ4 (Ed) SERIES DRUM BRAKES

制动器型号 Brake type	匹配推动器 Thruster type	制动力矩 Brake torque (Nm)	道距 Clearance (mm)	安装及外形尺寸 Dimensions (mm)																重量 Weight (kg)
				A	b	C	D	d	E	F	G1	G2	H	h1	i	K	M	n	G3	
YWZ4-100/E23	Ed23/5	40	0.6	320	70	160	100	13	125	75	125	125	375	100	40	110	138	8	50	21
YWZ4-150/E23	Ed23/5	100	0.6	350	90	160	150	17	173	100	170	170	430	140	60	150	138	8	70	25
YWZ4-150/E30	Ed30/5	120											462							29
YWZ4-200/E23	Ed23/5	200	0.7	430	90	160	200	17	210	100	195	195	436	170	60	175	156	8	95	31
YWZ4-200/E30	Ed30/5	230		427									463							34
YWZ4-300/E30	Ed30/5	320		487		160							595							65
YWZ4-300/E50	Ed50/6	630	0.7	527	140	195	300	22	281	130	280	280	585	240	80	250	200	10	125	78
YWZ4-300/E80	Ed80/6	750											600							79
YWZ4-400/E80	Ed80/6	1600	0.8	662	180	195	400	22	370	180	360	360	750	320	130	325	265	12	190	140
YWZ4-400/E121	Ed121/6	2000		653	240	240	400	22	440	200	415	415	764	400	150	380	310	15	225	155
YWZ4-500/E121	Ed121/6	2500	0.8	713	200	255	500	22	440	200	415	415	925	400	150	380	310	15	225	210
YWZ4-500/E201	Ed201/6	3600																		
YWZ4-600/E121	Ed121/6	3200	0.8	848	240	315	600	26	555	220	505	520	1100	475	170	475	395	18	250	390
YWZ4-600/E201	Ed201/6	5000																		
YWZ4-700/E201	Ed201/6	8000	0.8	978	280	400	700	34	705	270	580	600	1245	550	200	540	495	25	315	465
YWZ4-700/E301	Ed301/12	8650																		466
YWZ4-800/E301	Ed301/12	12500	0.9	1115	320	445	800	34	772	320	677	697	1417	600	240	620	556	28	357	785

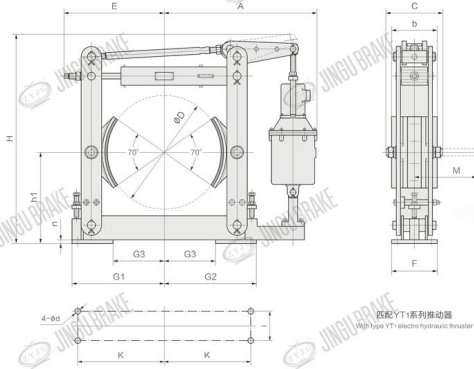
注：具体型号，结构及外形尺寸保留更改的权利。 Note: The size of the specific type and structure should be retained.

安装及外形尺寸 Outline And Installation Dimension

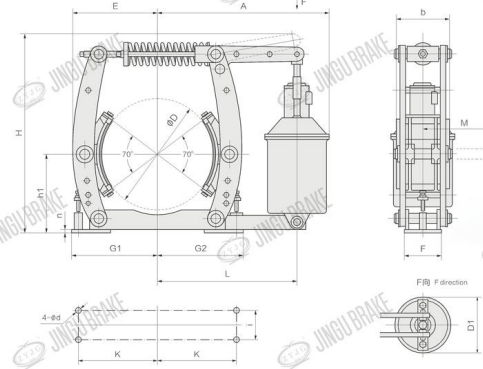
替代原YWZa系列制动器

安装及外形尺寸 Outline And Installation Dimension

替代原YWZ4a系列制动器



YWZ(YT)系列



YWZ-A系列

YWZ4(YT)系列鼓式制动器技术参数及外形尺寸 TECHNICAL DATA AND DIMENSIONS OF YWZ4(YT) SERIES DRUM BRAKES

制动器型号 Brake type	匹配推动器 Thruster type	制动力矩 Brake torque (Nm)	退距 Clearance (mm)	安装及外形尺寸 Dimensions (mm)																重量 Weight (kg)
				A	b	C	D	d	E	F	G1	G2	H	h1	i	K	M	n	G3	
YWZ4-100/18	YT1-18ZB/2	40	0.6	269	70	137	100	13	125	75	125	125	384	100	40	110	138	6	50	20
YWZ4-150/25	YT1-25ZB/4	100	0.6	307	90	154	150	173	170	170	170	437	140	60	150	138	8	70	26	
YWZ4-200/25	YT1-25ZB/4	200	0.7	347		200	200	17	210	100	195	195	440	170	175	156	8	95	30	
YWZ4-300/25	YT1-25ZC/4	320		447		154						592								63
YWZ4-300/45	YT1-45Z/6	630	0.7	459	140	178	300	22	281	130	280	280	600	240	80	250	200	10	125	70
YWZ4-300/90	YT1-90Z/8	850		510								700								80
YWZ4-400/45	YT1-45Z/6	1000	0.6	564		178						735								120
YWZ4-400/90	YT1-90Z/8	1600	0.8	580	180	210	400	22	370	180	360	360	740	320	130	325	271	12	125	130
YWZ4-400/125	YT1-125Z/10	2200		632		254						850								167
YWZ4-500/90	YT1-90Z/8	2500		670								890								210
YWZ4-500/125	YT1-125Z/10	2650	0.8	692	200	255	500	22	440	200	415	415	940	400	150	380	310	16	225	220
YWZ4-500/180	YT1-180Z/10	3000		692								940								235
YWZ4-600/90	YT1-90Z/8	3200	0.8	805	240	310	600	26	555	220	505	520	1028	475	170	475	390	18	250	400
YWZ4-600/180	YT1-180Z/12	5000		827								827								430
YWZ4-700/180	YT1-180Z/12	8000	0.8	957	280	400	700	34	705	270	580	600	1225	550	200	540	495	25	315	500
YWZ4-800/180	YT1-180Z/12	10000		1094								1094								720
YWZ4-800/320	YT1-320Z/12	12500	0.9	1115	320	445	800	34	772	320	677	697	1417	600	240	620	556	28	357	720
																				885

*注: 具体型号, 结构及外形尺寸保留更改的权利。 Note: The size of the specific type and structure should be retained.

YWZ4-A系列鼓式制动器技术参数及外形尺寸 TECHNICAL DATA AND DIMENSIONS OF YWZ4-A SERIES DRUM BRAKES

制动器型号 Brake type	制动轮直径 Brake wheel diameter (mm)	制动力矩 Brake torque (Nm)	退距 Clearance (mm)	安装及外形尺寸 Dimensions (mm)																重量 Weight (kg)
				A	b	D	D1	d	E	F	G1	G2	H	h1	i	K	L	M	n	
YWZ4-160/18A	160	80-140	0.5	345	65	160	137	14	160	90	155	155	378	132	55	130	275	145	6	25
YWZ4-160/25A		112-180	0.8	354			154					432								37
YWZ4-200/25A	200	112-225	1.0	379	80	200	154	14	190	90	180	180	454	160	55	145	300	145	8	43
YWZ4-250/45A	250	250-400	1.25	420	100	250	178	18	210	100	205	205	509	190	65	180	331	190	10	70
YWZ4-315/25A		180-280		510			154					563								74
YWZ4-315/45A	315	315-630	1.25	565	125	315	178	18	245	110	245	275	610	225	80	220	476	220	10	78
YWZ4-315/90A		630-1250		568			210					625								147
YWZ4-400/45A		400-630		600			178					682								125
YWZ4-400/90A	400	800-1250	1.6	610	160	400	210	22	304	140	310	310	720	280	100	270	505	275	12	140
YWZ4-400/125A		1120-1800		632			254					800								167
YWZ4-500/90A	500	1000-1600	1.6	697	200	500	210	22	368	180	365	365	791	335	130	325	592	330	16	202
YWZ4-500/125A		1400-2250		719			254					845								220
YWZ4-630/180A	630	2500-4000	2.0	814	250	630	254	27	478	220	450	450	1021	425	170	400	703	400	20	358
YWZ4-630/320A		4800-7100		815			375					1030								425
YWZ4-710/180A	710	3100-4500	2.0	985	280	710	254	27	520	240	500	550	1121	475	190	450	855	452	22	475
YWZ4-710/320A		5000-8000		1045			375													506
YWZ4-800/320A	800	8000-12000	2.5	1170	320	800	375	27	595	280	750	750	1283	530	210	520	982	510	30	716

*注: 具体型号, 结构及外形尺寸保留更改的权利。 Note: The size of the specific type and structure should be retained.

YWZ5/YWZ9系列电力液压鼓式制动器

YWZ5/YWZ9 SERIES ELECTRO-HYDRAULIC DRUM BRAKES

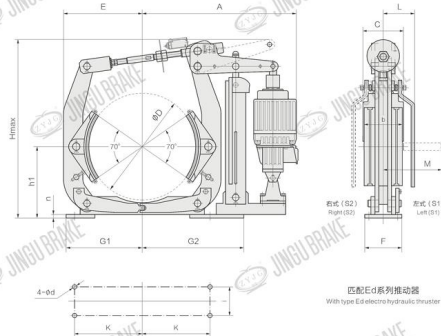
应用 Application

- YWZ5/YWZ9系列电力液压鼓式制动器，广泛用于起重、运输、冶金、矿山、港口、码头、建筑机械等机械驱动装置的减速和停车制动。
- YWZ5/YWZ9 series electric hydraulic drum brake is widely used for deceleration and parking brake of mechanical driving devices such as lifting, transportation, metallurgy, mine, port, wharf, construction machinery and so on.

符合标准 Standards Compliant

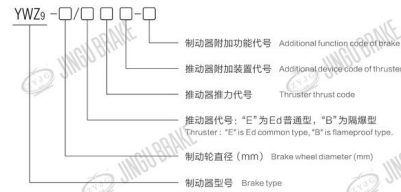
- YWZ5/YWZ9系列制动器的安装尺寸和制动力矩参数符合GB6333-86标准。技术要求符合JB/T6406-2006标准。
- The dimensions and braking torque parameters of YWZ5/YWZ9 series brakes comply with GB6333-86 standard, technology requirements comply with JB/T6406-2006 standard.

安装及外形尺寸 Outline And Installation Dimension



YWZ9系列 Series

型号意义 Model Significance



制动器附加功能表 ADDITIONAL FUNCTIONS

功能代号 Function code	表示意义 Model Significance
M	衬垫磨损制动补偿装置 Pad wear brake compensation device
K1	开闸限位行程开关 Opening limit travel switch
K2	闭闸限位行程开关 Closing limit travel switch
K3	衬垫磨损极限显示行程开关 Pad wear limit display switch
S1	左式手动装置 Left hand device
S2	右式手动装置 Right hand manual device

YWZ5/YWZ9系列电力液压鼓式制动器技术参数及外形尺寸 TECHNICAL DATA AND DIMENSIONS OF YWZ5/YWZ9 SERIES DRUM BRAKES

制动器型号 Brake type	匹配推动器 Thruster type	制动力矩 Brake torque (Nm)	退距 Clearance (mm)	安装及外形尺寸 Dimensions (mm)																重量 Weight (kg)	
				A	b	C	D	d	E	F	G1	G2	Hmax	h1	i	K	M	n	L		
-160/E23 -200/E23 -200/E30 -250/E23 -250/E30	Ed23/5	80-160	1.0	430	65	160	160	14	145	85	145	195	435	132	55	130	120	8	145	32.5	
	Ed23/5	112-200	1.0	470	80	160	200	14	175	90	165	265	500	160	55	145	140	10	150	35	
	Ed30/5	140-315	1.0	470	80	160	200	14	175	90	165	265	500	160	55	145	140	10	150	38	
	Ed23/5	140-250	1.0	535	100	160	250	18	205	110	200	290	570	190	65	180	160	12	180	42	
	Ed30/5	180-315	1.0	535	100	160	250	18	205	110	200	290	570	190	65	180	160	12	180	45	
-250/E50 -300/E23 -300/E30 -300/E50 -300/E80	Ed50/6	315-500	1.25	575	190															50	
	Ed23/5	180-280	1.25	590	160															70	
	Ed30/5	250-400	1.25	590	160															75	
	Ed50/6	400-630	1.25	630	190															80	
	Ed80/6	630-1000	1.25	630	190															80	
-315/E23 -315/E30 -315/E50 -315/E80 -400/E50	Ed23/5	180-280	1.25	590	160															70	
	Ed30/5	250-400	1.25	590	160															75	
	Ed50/6	400-630	1.25	630	190															80	
	Ed80/6	630-1000	1.25	630	190															80	
	Ed50/6	400-800	1.25	710	160	190								715	280	100	270	220	14	170	95
-400/E80 -400/E121 -400/E121 -500/E80 -500/E121	Ed80/6	630-1250	1.25	810	190															110	
	Ed121/6	1000-2000	1.25	810	190									775						125	
	Ed80/6	800-1600	1.25	810	190									810						175	
	Ed121/6	1120-2500	1.25	800	200	240	500	22	385	180	365	535		845	335	130	325	280	16	180	190
	Ed201/6	2000-4000	1.25	800	200	240	500	22	385	180	365	535		845	335	130	325	280	16	180	190
-600/E201 -600/E121 -600/E201 -600/E301 -630/E121	Ed201/6	2500-4500	1.6	925	240	240	600	26	470	220	450	600	1035	425	170	400	340	25	185	300	
	Ed121/6	1800-2800	1.6	925	240	240	600	26	470	220	450	600	1035	425	170	400	340	25	185	305	
	Ed201/6	2500-4500	1.6	925	240	240	600	26	470	220	450	600	1035	425	170	400	340	25	185	310	
	Ed301/6	4000-6500	1.6	925	240	240	600	26	470	220	450	600	1035	425	170	400	340	25	185	315	
	Ed121/6	1800-3150	1.6	925	240	240	600	26	470	220	450	600	1035	425	170	400	340	25	185	315	
-630/E201 -630/E301 -700/E201 -700/E301 -700/E201	Ed201/6	2500-5000	1.6	925	250	240	630	26	470	220	450	600	1035	425	170	400	340	25	185	320	
	Ed301/6	4000-7100	1.6	925	250	240	630	26	470	220	450	600	1035	425	170	400	340	25	185	325	
	Ed201/6	2500-5600	1.6	980	280	240	700	27	525	240	500	650	1140	475	190	450	360	30	220	420	
	Ed301/6	4000-8000	1.6	980	280	240	700	27	525	240	500	650	1140	475	190	450	360	30	220	425	
	Ed201/6	2500-5600	1.6	980	280	240	700	27	525	240	500	650	1140	475	190	450	360	30	220	425	
-800/E301/12	Ed301/12	10500-12500	2.0	1230	320	240	800	27	595	280	570	830	1355	530	210	520	440	30	240	545	

- 注：具体型号、结构及外形尺寸保留更改的权利。(Note: The size of the specific type and structure should be retained.)
- 根据用户需要可生产各种常开制动器、防爆产品及非标产品。 (Note: According to user needs to produce a variety of normally open brake, explosion-proof products and non-standard products.)
- 根据用户需要可生产匹配YT1推动器。(注：外形尺寸有变化) (Note: Dimension change)

YWZ₈系列电力液压鼓式制动器

YWZ₈ SERIES ELECTRO-HYDRAULIC DRUM BRAKES

应用 Application

• YWZ₈系列电力液压鼓式制动器，广泛用于起重、运输、冶金、矿山、港口、码头、建筑机械等机械驱动装置的减速和停车制动。

APPLICATION

• YWZ₈ series electric hydraulic drum brake is widely used for deceleration and parking brake of mechanical driving devices such as lifting, transportation, metallurgy, mine, port, wharf, construction machinery and so on.

符合标准 Standards Compliant

• YWZ₈系列电力液压制动器的安装尺寸和制动力矩参数符合JB/ZQ4388-2006标准。技术要求符合JB/T6406-2006标准。

STANDARDS COMPLIANT

• The dimensions and braking torque parameters of YWZ₈ series brakes comply with JB/ZQ4388-2006 standard, technology requirements comply with JB/T6406-2006 standard.

主要特点 Main Feature

- 性能安全可靠，制动平稳，动作频率高。
- 主要摆点均设有自润滑轴承，传动效率高，寿命长，使用过程中无需润滑。
- 联锁式退距均等装置，在使用中始终保持两侧瓦块退距均等，避免因退距不均使一侧制动衬垫磨贴制动轮的现象。
- 无石棉制动衬垫与制动瓦块采用卡插插入式。安全可靠，更换方便、快捷。

MAIN FEATURE

- Safe and reliable performance, smooth braking, high action frequency.
- Main hinge points are equipped with self-lubricating bearing, making high efficiency of transmission, long service life. Lubricating is unnecessary during operation.
- Interlocking shoe clearance balancing device constantly equalize the clearance of brake shoes on both sides and make adjustment unnecessary, completely avoiding brake lining one side sticking to brake wheel.
- The non asbestos brake pad and the brake pad adopt the clamping plug-in type. It is safe and reliable, convenient and quick to replace.

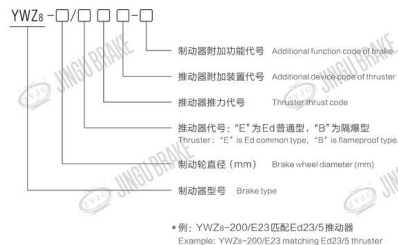
使用条件 Operating Condition

- 环境温度：-20℃~+50℃
- 周围工作环境中不得有易燃、易爆及腐蚀性气体，否则应采用防腐型产品。
- 相对湿度：空气相对湿度不大于90%
- 使用地点的海拔高度符合GB755-2019

OPERATING CONDITION

- Ambient temperature: -20℃~+50℃
- There shall be no inflammable or explosive gas in the surrounding working environment.
- Relative humidity: the relative humidity of the air is not more than 90%.
- The altitude of the place of use conforms to GB 755-2019

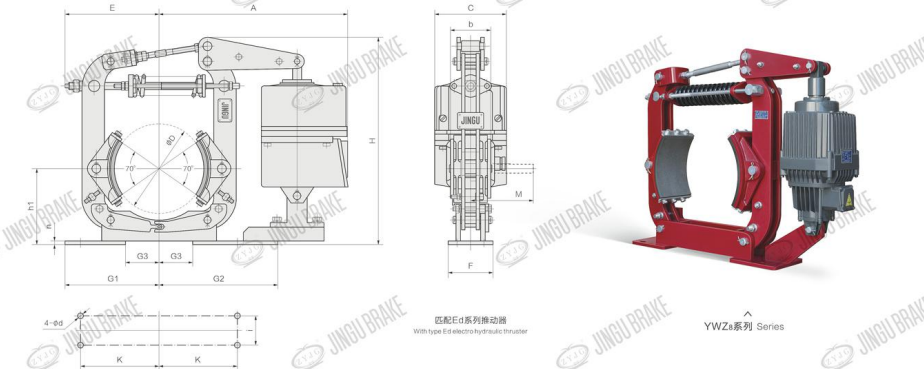
型号意义 Model Significance



制动器附加功能表 ADDITIONAL FUNCTIONS

功能代号 Function code	表示意义 Model Significance
K1	开闸 (上升) 显示行程开关 Opening limit travel switch
K2	闭闸 (下降) 显示行程开关 Closing limit travel switch
K3	衬垫磨擦极限显示行程开关 Pad wear limit display switch
S	手动装置 Manual device

安装及外形尺寸 Outline And Installation Dimension



YWZ₈系列鼓式制动器技术参数及外形尺寸 TECHNICAL DATA AND DIMENSIONS OF YWZ₈ SERIES DRUM BRAKES

制动器型号 Brake type	匹配制动器 Thruster type	制动力矩 Brake torque (Nm)	滑距 Clearance (mm)	安装及外形尺寸 Dimensions (mm)														重量 Weight (kg)		
				A	b	C	D	d	E	F	G1	G2	H	h1	i	K	M		n	G3
YWZ ₈ -200/E23	Ed23/5	135-200	0.7	430	90	160	200	17	210	100	210	265	470	170	60	175 (190)	140	75	35	
YWZ ₈ -200/E30	Ed30/5	135-310		500	160															43
YWZ ₈ -300/E30	Ed30/5	200-320	1	540	140	190	300	22	310	130	300	300	610	240	80	250 (270)	180	12	120	65
YWZ ₈ -300/E50	Ed50/6	200-550		660	180	190	400	22	355	180	350	400	760	320	130	325	220	14	150	80
YWZ ₈ -300/E80	Ed80/6	350-850	1	660	180	190	400	22	355	180	350	400	760	320	130	325	220	14	150	92
YWZ ₈ -400/E50	Ed50/6	600-750		650	240															120
YWZ ₈ -400/E80	Ed80/6	600-1300	1.2	735	200	240	500	22	455	200	405	455	930	400	150	380	280	16	205	130
YWZ ₈ -400/E121	Ed121/6	850-2000		650	240															150
YWZ ₈ -500/E121	Ed121/6	1000-2600	1.3	845	240	240	600	26	543	220	500	550	1110	475	170	475	340	20	240	220
YWZ ₈ -500/E201	Ed201/6	1500-3700		650	240															360
YWZ ₈ -600/E121	Ed121/6	1700-2800	1.3	948	280	240	700	34	615	270	580	650	1278	550	200	540	380	25	300	450
YWZ ₈ -600/E201	Ed201/6	3000-6500		650	240															450
YWZ ₈ -700/E301	Ed301/6	3700-9000	1.6	1027	320	240	800	34	640	310	670	830	1430	600	240	620	440	38	310	560
YWZ ₈ -800/E301/12	Ed301/12	6000-10000		650	240															560

- 注: 若安装尺寸为括号内尺寸时, 订货时需特别指出。 Note: If the installation size is in brackets, it should be noted when ordering.
- 具体型号, 结构及外形尺寸保留更改的权利。 The size of the specific type and structure should be retained.

YWZ13系列电力液压鼓式制动器

YWZ13 SERIES ELECTRO-HYDRAULIC DRUM BRAKES

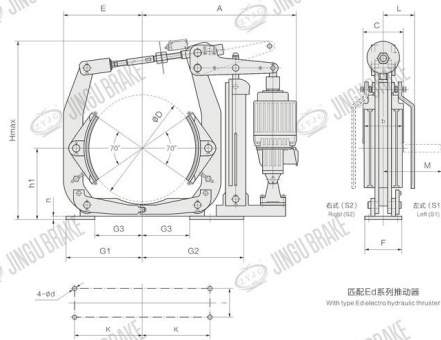
应用 Application

- YWZ13系列电力液压鼓式制动器，广泛用于起重、运输、冶金、矿山、港口、码头、建筑机械等机械驱动装置的减速和停车制动。
- YWZ13 series electric hydraulic drum brake is widely used for deceleration and parking brake of mechanical driving devices such as lifting, transportation, metallurgy, mine, port, wharf, construction machinery and so on.

符合标准 Standards Compliant

- 该系列制动器的安装尺寸和制动力矩参数符合JB/ZQ4388-2006标准。技术要求符合JB/T6406-2006标准。
- The installation dimensions and braking torque parameters of this series of brakes comply with JB/ZQ 4388-2006 standard. The technical requirements shall comply with JB/T6406-2006 standard.

安装及外形尺寸 Outline And Installation Dimension



主要特点 Main Feature

- 性能安全可靠，制动平稳，动作频率高。
- 主要摆动铰点均设有自润滑轴承，传动效率高，寿命长，在使用中无需润滑。
- 联锁式退距均等装置，避免因退距不均使一侧制动衬垫浮贴制动轮。
- 无石棉制动衬垫与制动瓦块采用卡装插入式。安全可靠，更换方便、快捷。
- Safe and reliable performance, smooth braking, high frequency of action.
- The main swing hinge points are equipped with self-lubricating bearings, which have high transmission efficiency, long service life and no lubrication during use.
- Interlocking distance equalizing device to avoid brake pads floating on brake wheels.
- Brake lining is of card-mounted and entirely-shaped structure, which is easy and quick to replace.

使用条件 Operating Condition

- 环境温度：-20℃~+50℃
- 周围工作环境中不得有易燃、易爆及腐蚀性气体，否则应采用防腐型产品。
- 相对湿度：空气相对湿度不大于90%
- 使用地点的海拔高度符合GB755-2019
- Operating condition: -20℃~+50℃
- Flammable, explosive and corrosive gases shall not be allowed in the surrounding working environment, otherwise anti-corrosion products shall be used.
- Relative humidity: the relative humidity of the air is not more than 90%
- The altitude of the place of use conforms to GB 755-2019

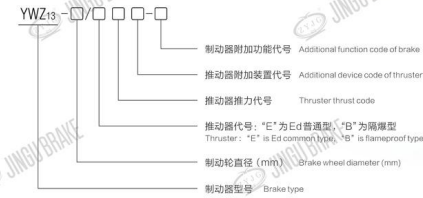
OPERATING CONDITION

- Ambient temperature: -20℃~+50℃
- Flammable, explosive and corrosive gases shall not be allowed in the surrounding working environment, otherwise anti-corrosion products shall be used.
- Relative humidity: the relative humidity of the air is not more than 90%
- The altitude of the place of use conforms to GB 755-2019

制动器附加功能表 ADDITIONAL FUNCTIONS

功能代号 Function code	表示意义 Mode Significance
M	衬垫磨损制动补偿装置 Pad wear brake compensation device
K1	开闸限位行程开关 Opening limit travel switch
K2	闭闸限位行程开关 Closing limit travel switch
K3	衬垫磨损极限显示行程开关 Pad wear limit display switch
S1	左式手动装置 Left hand device
S2	右式手动装置 Right hand manual device

型号意义 Model Significance



- 注：根据用户需求可生产各种常开式制动器、防腐产品及非标产品。
Note: Various normally open brakes, explosion-proof products and non-standard products can be manufactured according to users' needs.

YWZ13系列鼓式制动器技术参数及外形尺寸 TECHNICAL DATA AND DIMENSIONS OF YWZ13 SERIES DRUM BRAKES

制动器型号 Brake type	匹配推动器 Thruster type	制动力矩 Brake torque (Nm)	退距 Clearance (mm)	安装及外形尺寸 Dimensions (mm)																	重量 Weight (kg)
				A	b	C	L	d	D	E	F	G1	G2	Hmax	h1	i	K	M	n	G3	
YWZ13-200/E23	Ed23/5	100-200	0.7	470	90	160	150	17	200	175	100	210	265	510	170	60	175 (190)	140	8	75	32
YWZ13-200/E30	Ed30/5	140-315																			43
YWZ13-300/E30	Ed30/5	250-400		590		160															65
YWZ13-300/E50	Ed50/6	400-630	0.8	630	140	190	170	22	300	255	130	295	330	605	240	80	250 (270)	180	12	135	80
YWZ13-300/E80	Ed80/6	630-1000																			92
YWZ13-400/E50	Ed50/6	400-800																			120
YWZ13-400/E80	Ed80/6	630-1250	1.2	710	180	190	170	22	400	310	180	350	420	765	320	130	325	220	14	150	130
YWZ13-400/E121	Ed121/6	1000-2000		700		240								820							150
YWZ13-500/E80	Ed80/6	800-1600		810										880							220
YWZ13-500/E121	Ed121/6	1250-2500	1.2	800	200	240	180	22	500	380	200	405	535	900	400	150	380	280	16	205	220
YWZ13-600/E201	Ed201/6	2000-4000																			
YWZ13-600/E121	Ed121/6	1800-2800																			
YWZ13-600/E201	Ed201/6	2500-4500	1.3	925	240	240	185	26	600	470	220	500	600	1080	475	170	475	340	20	240	305
YWZ13-600/E301	Ed301/6	4000-6500																			
YWZ13-700/E201	Ed201/6	2500-5600																			
YWZ13-700/E301	Ed301/6	4000-8000	1.3	980	280	240	220	34	700	530	270	570	650	1290	550	200	540	380	25	300	425
YWZ13-800/E301	Ed301/12	12500	2.0	1230	320	240	240	34	800	600	310	670	830	1420	600	240	620	420	34	310	545

- 注：若安装尺寸为括号内时，订货时需特别指出。 Note: If installation dimensions are in brackets, special instructions should be made when ordering.
- 具体型号、结构及外形尺寸保留更改的权利。 The size of the specific type and structure should be retained.

YW系列电力液压鼓式制动器

YW SERIES ELECTRO-HYDRAULIC DRUM BRAKES

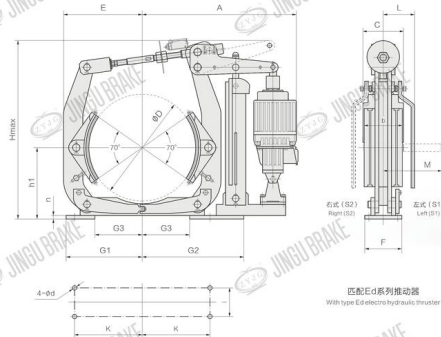
应用 Application

- YW系列电力液压鼓式制动器，广泛用于起重、运输、冶金、矿山、港口、码头、建筑机械等机械驱动装置的减速和停车制动。
- YW series electric hydraulic drum brake is widely used for deceleration and parking brake of mechanical driving devices such as lifting, transportation, metallurgy, mine, port, wharf, construction machinery and so on.

符合标准 Standards Compliant

- YW系列制动器的安装尺寸和制动力矩参数符合DIN15435和JB/T7021-2006标准。技术要求符合JB/T6406-2006标准。
- The installation dimensions and braking torque parameters of YW series brakes conform to DIN15435 and JB/T7021-2006 standards. The technical requirements conform to JB/T6406-2006 standard.

安装及外形尺寸 Outline And Installation Dimension



使用条件 Operating Condition

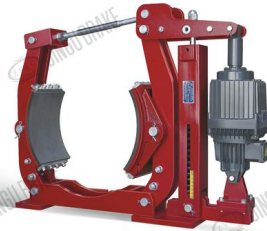
- 环境温度：-20℃~+50℃
- 周围工作环境中不得有易燃、易爆及腐蚀性气体，否则应采用防腐型产品。
- 相对湿度：空气相对湿度不大于90%
- 使用地点的海拔高度符合GB755-2019
- 有特殊要求时，在订货时协商确定。

OPERATING CONDITION

- Ambient temperature: -20℃~+50℃
- Flammable, explosive and corrosive gases are not allowed in the surrounding working environment, otherwise anti-corrosion products should be used.
- Relative humidity: the relative humidity of the air is not more than 90%
- The altitude of the place of use conforms to GB755-2019
- Special requirements can be discussed before production.

安装型式 Installation Type

- 制动衬垫的安装型式有两种：铆接式和插入式（订货时请说明）。There are two types of brake pad installation: riveting type and plug-in type (please specify when ordering).



YW系列

型号意义 Model Significance



制动器附加功能表 ADDITIONAL FUNCTIONS

功能代号 Function code	表示意义 Model Significance
M	衬垫磨损制动补偿装置 Pad wear brake compensation device
K1	开闸（上升）显示行程开关 Opening limit travel switch
K2	闭闸（下降）显示行程开关 Closing limit travel switch
K3	衬垫磨损极限显示行程开关 Pad wear limit display switch
S1	左式手动装置 Left hand device
S2	右式手动装置 Right hand manual device

YW系列鼓式制动器技术参数及外形尺寸 TECHNICAL DATA AND DIMENSIONS OF YW SERIES DRUM BRAKES

制动器型号 Brake type	匹配制动器 Thruster type	制动力矩 Brake torque (Nm)	间距 Clearance (mm)	安装及外形尺寸 Dimensions (mm)																	重量 Weight (kg)
				A	b	C	D	d	E	F	G1	G2	Hmax	h1	i	K	M	n	L	G3	
YW160-E23	Ed23/5	80~160	1.0	430	65	160	160	14	145	85	145	195	400	132	55	130	105	8	145	65	32.5
YW200-E23	Ed23/5	100~200	1.0	470	70	160	200	14	175	90	165	265	500	160	55	145	118	10	150	75	35
YW200-E30	Ed30/5	150~335		533	90	250	18	205	110	200	290	585	190	65	180	149	12	180	100	45	
YW250-E23	Ed23/5	125~250	1.0	530	160	190	250	18	205	110	200	290	585	190	65	180	149	12	180	100	48
YW250-E30	Ed30/5	180~350		570																	
YW250-E50	Ed50/6	300~550	1.25	570	160	190	315	17	255	115	245	330	585	230	80	220	174	17	170	136	53
YW250-E80	Ed80/6	300~970		570																	
YW315-E23	Ed23/5	150~320	1.25	590	110	190	315	17	255	115	245	330	585	230	80	220	174	17	170	136	70
YW250-E80	Ed30/5	200~450		620																	
YW250-E80	Ed50/6	315~710	1.25	620	140	190	400	22	310	160	310	420	715	280	100	270	211	14	170	150	80
YW250-E80	Ed80/6	630~1240		680																	
YW400-E30	Ed30/6	200~470	1.25	680	180	190	500	22	390	180	365	535	815	340	130	325	270	21	180	185	138
YW400-E50	Ed50/6	400~800		710																	
YW400-E80	Ed80/6	630~1250	1.25	710	180	190	400	22	310	160	310	420	715	280	100	270	211	14	170	150	140
YW400-E121	Ed121/6	1000~2240		700																	
YW500-E50	Ed50/6	450~1235	1.25	810	180	190	500	22	390	180	365	535	815	340	130	325	270	21	180	185	176
YW500-E80	Ed80/6	800~1600		800																	
YW500-E121	Ed121/6	1250~2500	1.6	800	240	240	500	22	470	220	450	600	1035	420	170	400	330	20	185	280	310
YW500-E201	Ed201/6	2000~4000		845																	
YW630-E121	Ed121/6	1600~3150	1.6	925	225	240	630	26	470	220	450	600	1035	420	170	400	330	20	185	280	310
YW630-E201	Ed201/6	2500~5000		925																	
YW630-E301	Ed301/6	3550~7100	1.6	980	225	240	710	27	530	240	500	650	1135	470	190	450	372	25	220	300	435
YW710-E121	Ed121/6	1000~3250		980																	
YW710-E201	Ed201/6	2500~5600	2.0	1227	280	240	800	27	600	280	570	830	1360	530	210	520	410	30	240	310	600
YW710-E301	Ed301/6	4000~8000		12500																	
YW800-E301	Ed301/12	12500	2.0	1227	280	240	800	27	600	280	570	830	1360	530	210	520	410	30	240	310	600

注：具体型号，结构及外形尺寸保留更改的权利。 Note: The size of the specific type and structure should be retained.

YWW系列电力液压鼓式制动器 YWW SERIES ELECTRO-HYDRAULIC DRUM BRAKES

应用 Application

- YWW系列电力液压鼓式制动器，是一种卧式安装（相对于制动轮轴线为水平安装）的制动器，主要用于门座式起重机和塔式起重机等回转机构的减速制动。

APPLICATION

The YWW series electro-hydraulic brake is horizontally mounted (horizontal installation relative to drum axis), it is mainly used for deceleration braking of slewing mechanism of gantry crane and tower crane.

符合标准 Standards Compliant

- YWW系列为常闭式，主要用于需要停车定位的回转机构的制动。其连接尺寸和技术要求符合JB/T6406-2006标准。
- 配备符合DIN15430标准的Ed系列电力液压推动器。

STANDARDS COMPLIANT

The YWW series is normally closed, mainly used for braking of the turning mechanism requiring parking position. The connection dimensions and technical requirements conform to JB/T6406-2006 standard. They are equipped with Ed series thrusters which comply with DIN15430 standard.

使用条件 Operating Condition

- 环境温度：-20℃ ~ +50℃
- 周围工作环境中不得有易燃、易爆及腐蚀性气体，否则应采用防腐型产品。
- 相对湿度：空气相对湿度不大于90%
- 电源电压：3相、交流380V、50Hz（其它电源等级可按需要定制）
- 有特殊要求时，在订货时协商确定。

OPERATING CONDITION

- Ambient temperature: -20℃ ~ +50℃
- Flammable, explosive and corrosive gases are not allowed in the surrounding working environment, otherwise anti-corrosion products should be used.
- Relative humidity: the relative humidity of the air is not more than 90%
- Voltages: AC 3 phase 380V, 50Hz (Other voltage can be made as required)
- Special requirements can be discussed before production.

主要特点 Main Feature

- 性能安全可靠，制动平稳，动作频率高。
- 主要摆动支点均设有自润滑轴承，传动效率高，寿命长，使用中无需润滑。
- 联锁式退距均等装置，在使用中始终保持两侧瓦块退距均等，避免因退距不均使一侧制动衬垫浮贴制动轮的现象。
- 制动衬垫为卡装式整体成型结构，更换十分方便、快捷。
- 制动弹簧设在方管内置并设有标尺，保护弹簧不受损坏和污染。
- 采用Ed系列推动器配套，动作灵敏，寿命长。
- 设有可调式支承装置，确保制动器工作的灵活自如。

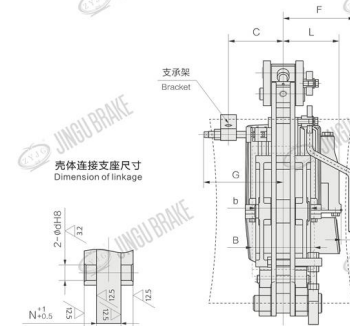
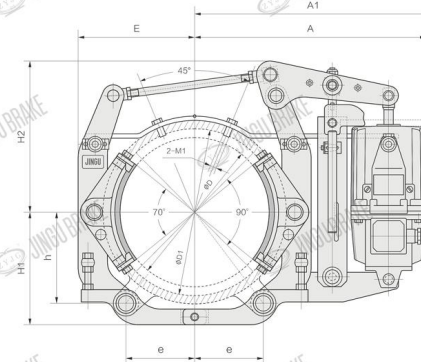
MAIN FEATURE

- Safe and reliable performance, smooth braking, high action frequency.
- Main hinge points are equipped with self-lubricating bearing, making high efficiency of transmission, long service life. Lubricating is unnecessary during operation.
- Interlocking shoe clearance balancing device and shoe auto-aligning device constantly equalize the clearance of brake shoes on both sides and make adjustment unnecessary, completely avoiding brake lining one side sticking to brake wheel.
- Brake lining is of clamped integral forming structure, which is easy and quick to replace.
- Enclosed spring tube protects spring from damage and contamination.
- The Ed series thrusters are characterized by flexible action and long operating life.
- Adjustable bracket ensure the brake well.



YWW系列 Series

安装及外形尺寸 Outline And Installation Dimension



安装型式：水平（卧式）安装
Mounting: horizontal mounting

YWW系列鼓式制动器尺寸和技术参数 TECHNICAL DATA AND DIMENSIONS OF YWW SERIES DRUM BRAKES

制动推型号 Brake type	匹配推动器 Thruster type	制动力矩 Brake torque (Nm)	安装及外形尺寸 Dimensions (mm)																重量 Weight (kg)			
			D	h	e	b	E	A	A1	H1	H2	C	G	L	F	D1	B	M		N	d	d1
YWW200-300	Ed300-50	140-280	200	140	108	70	170	410	470	168	330	120	185	118	225	250	90	80	40	20	16	48
YWW300-300	Ed300-50	200-400	300	185	135	125	260	540	570	245	390	130	195	118	210	380	145	100	52	30	16	81
YWW300-500	Ed500-60	315-630						560	665					158	190							93
YWW315-300	Ed300-50	200-400	315	185	135	110	260	540	570	245	390	130	195	118	210	380	130	100	52	30	16	73
YWW315-500	Ed500-60	400-800						560	665					158	250							85
YWW400-300	Ed300-50	250-500						595	630					118	210							102
YWW400-500	Ed500-60	315-630	400	235	177	140	305	595	710	290	420	140	200	158	250	470	165	124	62	40	16	116
YWW400-800	Ed800-60	630-1250						720	725					158	250							200
YWW500-800	Ed800-60	800-1600						770	955	343	525	149	215	148	235	570	210	138	82	35	20	206
YWW500-1250	Ed1250-60	1250-2500	500	275	262	180	370															
YWW500-2000	Ed2000-60	2000-4000																				

*注：具体型号，结构及外形尺寸保留更改的权利。 Note: The size of the specific type and structure should be retained.

YW-E系列二级电力液压鼓式制动器

YW-E SERIES TWO-STAGE ELECTRO-HYDRAULIC DRUM BRAKES

应用 Application

- YW-E系列二级电力液压鼓式制动器，主要适用于起重机械行走机构的制动和皮带运输机的工作制动。该系列制动器为两级制动式制动装置，第二级的制动时间可通过单向调速阀进行调节，制动平稳，安全可靠。

APPLICATION

- YW-E series two-stage electric hydraulic drum brake is mainly applicable to the braking of crane traveling mechanism and the working braking of belt conveyor. This series of brakes are two-stage braking devices. The braking time of the second stage can be adjusted through the one-way speed regulating valve, so the braking is stable, safe and reliable.

符合标准 Standards Compliant

- YW-E系列制动器的安装尺寸符合DIN15435和JB/T7021-2006标准。技术要求符合JB/T6406-2006标准。
- 配套符合DIN15430标准的Ed系列电力液压推动器。

STANDARDS COMPLIANT

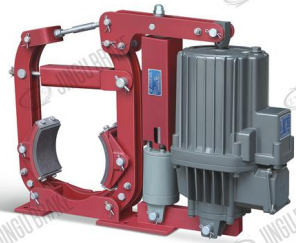
- The installation dimension parameters of YW-E series brakes comply with din15435 and JB/T7021-2006 standards. The technical requirements shall comply with JB/T6406-2006 standard.
- Thrusters equipped on them are Ed series thrusters which comply with DIN15430 standard.

主要特点 Main Feature

- 性能安全可靠，制动平稳，动作频率高。
- 主要摆动铰点均设有自润滑轴承，传动效率高，寿命长，使用过程中无需润滑。
- 联锁式退距均等装置，避免因退距不均使一侧制动衬垫浮贴制动轮的现象。
- 户外雨雪侵蚀或有腐蚀性气体和介质，应采用防腐型产品。

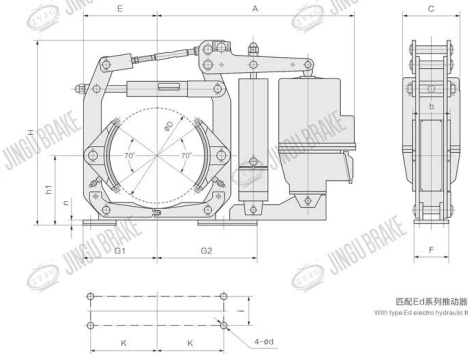
MAIN FEATURE

- Safe and reliable performance, smooth braking, high action frequency.
- Main hinge points are equipped with self-lubricating bearings, making high efficiency of transmission, long service life. Lubricating is unnecessary during operation.
- Interlocking shoe clearance balancing device, make adjustment unnecessary, completely avoiding brake lining one side sticking to brake wheel.
- Outdoor rain and snow erosion or corrosive gases and media, should use anti-corrosion products.

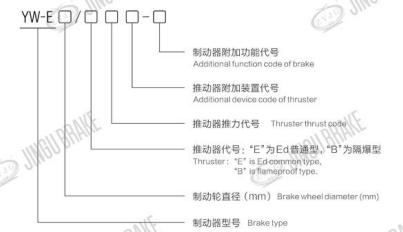


YW-E系列 Series

安装及外形尺寸 Outline And Installation Dimension



型号意义 Model Significance



产品示例 Product Examples

- YW-E315/50 YW-E315/50-M.S1.K1.K3
- YW-E315/50-M.S1-440V.60Hz

YW-E系列鼓式制动器技术参数及外形尺寸 TECHNICAL DATA AND DIMENSIONS OF YW-E SERIES DRUM BRAKES

制动器型号 Brake type	匹配推动器 Thruster type	制动力矩 Brake torque (Nm)			安装及外形尺寸 Dimensions (mm)													重量 Weight (kg)	
		第一步制动 First stop	第二步制动 Second stop	总制动力矩 Total torque	D	A	E	H	h1	G1	G2	i	K	n	d	b	C		
YW-E200/E23	Ed23/5	35-80	80-150	230		490		520										160	42
YW-E200/E30	Ed30/5	80-160	80-155	315	200	500	190	520	160	165	265	55	145	10	14	70	160	46	60
YW-E250/E50	Ed50/6	120-250	120-250	500		535		560										190	56
YW-E250/E30	Ed30/5	80-160	95-155	315	250	580	225	590	190	200	300	65	180	12	18	90	190	90	65
YW-E250/E50	Ed50/6	160-315	160-315	630														160	95
YW-E315/E30	Ed30/5	200-400	200-400	800														160	95
YW-E315/E50	Ed50/6	200-400	200-400	800	315	655	270	620	230	245	330	80	220	12	18	110	190	123	126
YW-E315/E80	Ed80/6	315-630	315-630	1260														190	126
YW-E400/E50	Ed50/6	160-315	160-315	630		740	318	720										133	133
YW-E400/E80	Ed80/6	315-630	315-630	1260	400				280	310	420	100	270	14	22	140	190	150	150
YW-E400/E121	Ed121/6	630-1250	630-1250	2500		770	218	775										240	150

*注：具体型号，结构及外形尺寸保留更改的权利。 Note: The size of the specific type and structure should be retained.

YW-K系列常开型电力液压鼓式制动器

YW-K SERIES OFTEN OPEN ELECTRO-HYDRAULIC DRUM BRAKES

应用 Application

- YW-K系列电力液压鼓式制动器，主要用于各类通用桥、门式起重机的车运行机构的减速制动，也可用于非提升式绞车驱动装置减速制动。

APPLICATION

- YW-K series electric hydraulic drum brake is mainly used for deceleration braking of trolley running mechanism of all kinds of universal bridge and gantry crane, and also for deceleration braking of non-lifting winch drive.

符合标准 Standards Compliant

- YW-K系列常开式制动器的连接尺寸和技术要求符合JB/T6406-2006标准，制动力矩参数符合GB6333-86标准。
- 配备符合DIN15430标准的Ed系列电力液压推动器。

STANDARDS COMPLIANT

- The dimensions and braking torque parameters of YW-K series normal open brakes comply with JB/T6406-2006 standard and DIN15430 standard.
- They are equipped with Ed series thrusters which comply with DIN15430 standard.

使用条件 Operating Condition

- 环境温度：-20℃~+50℃
- 周围工作环境中不得有易燃、易爆及腐蚀性气体，否则应采用防腐型产品。
- 相对湿度：空气相对湿度不大于90%
- 电源电压：3相、交流380V、50Hz（其它电源等级可按需要定制）
- 有特殊要求时，在订货时协商确定。

OPERATING CONDITION

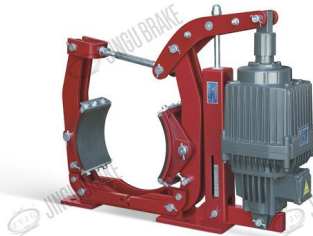
- Ambient temperature: -20°C ~ +50°C
- Flammable, explosive and corrosive gases are not allowed in the surrounding working environment, otherwise anti-corrosion products should be used.
- Relative humidity: the relative humidity of the air is not more than 90%
- Voltages: AC 3 phase 380V, 50Hz (Other voltage can be made as required)
- Special requirements can be discussed before production.

主要特点 Main Feature

- 性能安全可靠，制动平稳，动作频率高。
- 主要摆动支点均设有自润滑轴承，传动效率高，寿命长，使用中无需润滑。
- 联锁式退距均等装置，在使用中始终保持两侧瓦块退距均等，避免因退距不均使一侧制动衬层磨损贴制动轮的现象。
- 制动衬垫为卡装式整体成型结构，更换十分方便、快捷。
- 制动弹簧设在方管内布置设有标尺，保护弹簧不受损坏和污染。
- 采用Ed系列推动器配套，动作灵敏，寿命长。
- 常开式设计，（通电）推动器制动，（断电）弹簧释放。

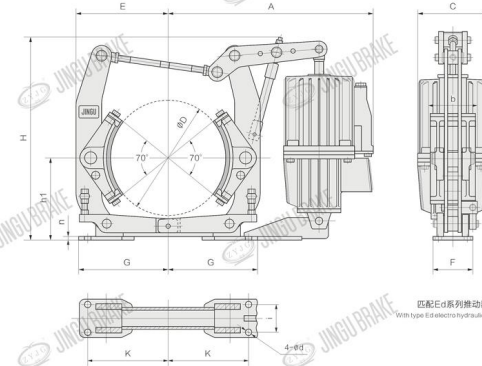
MAIN FEATURE

- Safe and reliable performance, smooth braking, high action frequency.
- Main hinge points are equipped with self-lubricating bearing, making high efficiency of transmission, long service life. Lubricating is unnecessary during operation.
- Interlocking shoe clearance balancing device and shoe auto-aligning device constantly equalize the clearance of brake shoes on both sides and make adjustment unnecessary, completely avoiding brake lining one side sticking to brake wheel.
- Brake lining is of clamped integral forming structure, which is easy and quick to replace.
- Enclosed spring tube protects spring from damage and contamination.
- The Ed series thrusters are characterized by flexible action and long operating life.
- Normally open design, (power on) Braking by thruster, (power off) spring release.

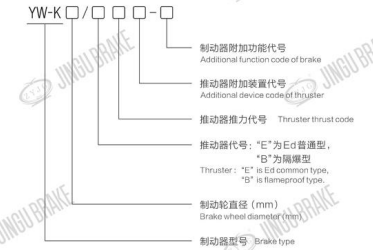


YW-K系列 Series

安装及外形尺寸 Outline And Installation Dimension



型号意义 Model Significance



产品示例 Product Examples

- YW-K315/50 YW-K315/50-K1.K3

YW-K系列鼓式制动器尺寸和技术参数 TECHNICAL DATA AND DIMENSIONS OF YW-K SERIES DRUM BRAKES

制动器型号 Brake type	匹配推动器 Thruster type	制动力矩 Brake torque(Nm)	安装及外形尺寸 Dimensions (mm)												重量 Weight (kg)	
			D	h1	K	i	d	n	b	F	G	E	H	A		C
YW-K160/E23	Ed 23/5	100	160	132	130	55	14	6	65	90	150	145	390	410	160	24
YW-K200/E23	Ed 23/5	140														30
YW-K200/E30	Ed 30/5	224	200	160	145	55	14	8	70	90	165	170	470	435	160	30
YW-K250/E23	Ed 23/5	200														38
YW-K250/E30	Ed 30/5	250	250	190	180	65	18	10	90	100	200	200	470	485	160	37
YW-K250/E50	Ed 50/6	450										205	555	525	195	38
YW-K300/E30	Ed 30/6	315													160	58
YW-K300/E50	Ed 50/6	630	300	225	220	80	18	10	125	110	245	255	575	575	195	86
YW-K315/E30	Ed 30/6	315													160	58
YW-K315/E50	Ed 50/6	560	315	230	220	80	18	10	110	110	245	255	575	575	195	86
YW-K315/E80	Ed 80/6	900													195	88
YW-K400/E50	Ed 50/6	710													99	
YW-K400/E80	Ed 80/6	1120	400	280	270	100	22	12	140	140	300	305	695	615	195	100
YW-K400/E121	Ed 121/6	1800											750		240	120
YW-K500/E80	Ed 80/6	1400													195	148
YW-K500/E121	Ed 121/6	2240	500	340	325	130	22	16	180	180	365	370	835	705	240	162
YW-K500/E201	Ed 201/6	3550													162	

*注：具体型号，结构及外形尺寸保留更改的权利。 Note: The size of the specific type and structure should be retained.

YW-P系列电力液压鼓式制动器 YW-P SERIES ELECTRO-HYRAULIC DRUM BRAKES

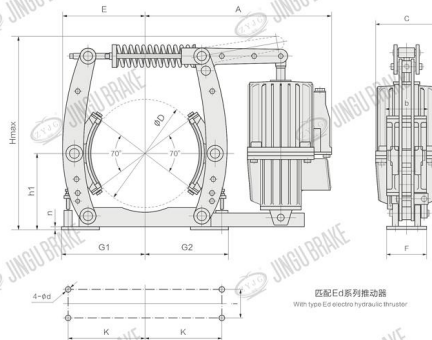
应用 Application

- YW-P系列鼓式制动器，广泛用于起重、运输、冶金、矿山、港口、码头、建筑机械等机械驱动装置的减速和停车制动。
- YW-P series drum brakes are widely used for deceleration and parking brakes of mechanical drive devices such as lifting, transportation, metallurgy, mines, ports, docks, construction machinery, etc.

符合标准 Standards Compliant

- YW-P系列制动器的安装尺寸符合DIN15435和JB/T7021-2006标准。
YW-P-A安装尺寸符合GB6333-1986。技术要求符合JB/T6406-2006标准。
- YW-P series brakes are installed in accordance with DIN1545 and JB/T7021-2006. YW-P-A mounting dimensions conform to GB6333-1986. Technical requirements meet JB/T6406-2006 standards.

安装及外形尺寸 Outline And Installation Dimension



主要特点 Main Feature

- 性能安全可靠，制动平稳，动作频率高。
- 主要摆动铰点均设有自润滑轴承，传动效率高，寿命长，在使用中无需润滑。
- 联锁式退距均衡装置，在使用过程中始终保持两侧瓦块退距均衡，避免因退距不均使一侧制动衬垫压贴制动轮的现象。
- 无石棉制动衬垫与制动瓦块采用卡装插入式。安全可靠，更换方便、快捷。
- Safe and reliable performance, smooth braking, high frequency of action.
- The main swing hinge points are equipped with self-lubricating bearings, which have high transmission efficiency, long service life and no lubrication during use.
- Interlocking shoe clearance balancing device and shoe auto-aligning device constantly equalize the clearance of brake shoes on both sides and make adjustment unnecessary, completely avoiding brake lining one side sticking to brake wheel.
- Brake lining is of card-mounted and entirely-shaped structure, which is easy and quick to replace.

使用条件 Operating Condition

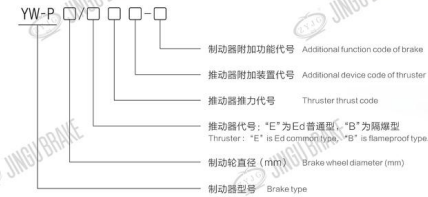
- 环境温度：-20℃~+50℃
- 周围工作环境中不得有易燃、易爆及腐蚀性气体，否则应采用防腐型产品。
- 相对湿度：空气相对湿度不大于90%
- 使用地点的海拔高度符合GB755-2019
- 有特殊要求时，在订货时协商确定。

OPERATING CONDITION

- Ambient temperature: -20℃~+50℃
- Flammable, explosive and corrosive gases shall not be allowed in the surrounding working environment, otherwise anti-corrosion products shall be used.
- Relative humidity: the relative humidity of the air is not more than 90%
- The altitude of the place of use conforms to GB 755-2019
- Special requirements can be discussed before production.

- 例：YW-P200/E23匹配Ed23/5推动器
YW-P200/E23-A匹配Ed23/5推动器

型号意义 Model Significance



YW-P系列 Series

YW-P系列鼓式制动器技术参数及外形尺寸 TECHNICAL DATA AND DIMENSIONS OF YW-P SERIES DRUM BRAKES

制动器型号 Brake type	匹配推动器 Thruster type	制动力矩 Brake torque (Nm)	通距 Clearance (mm)	安装及外形尺寸 Dimensions (mm)														重量 Weight (kg)		
				A	b	C	D	d	E	F	G1	G2	Hmax	h1	i	K	M		n	
YW-P160/E23	Ed23/5	90-180	1.0	378	65	160	160	14	170	85	145	175	420	132	55	130	105	8	32.5	
YW-P200/E23	Ed23/5	135-200	0.7	430	80	160	200	14	210	90	165	265	465	160	55	145	118	10	35	
				425															39	
YW-P200/E30	Ed30/5	135-310																		
YW-P250/E30	Ed30/5	180-350		450	90	160				240		200	290	512	190	65	180	150	12	45
YW-P250/E50	Ed50/6	300-550	0.8	490		190				260				552						
YW-P300/E30-A	Ed30/5	200-320	1.0	490	125	160	300	18	278	115	250	330	575	225	80	220	174	9	75	
YW-P315/E30	Ed30/5	200-315		500		160														80
YW-P315/E50	Ed50/6	355-600		542	110	190									230					87
YW-P315/E80	Ed80/6	560-950	1.0	542		190			315	18	310	115	245	330	595	80	220	174	12	90
YW-P315/E30-A	Ed30/5	200-315		500		160														80
YW-P315/E50-A	Ed50/6	355-600		542	125	190									225					87
YW-P315/E80-A	Ed80/6	560-950		542		190														90
YW-P400/E80	Ed80/6	700-1250		660		140														113
YW-P400/E80-A	Ed80/6	700-1250	1.0	660		160														115
YW-P400/E50-A	Ed50/6	450-710		595	140	190	400	22	355	160	310	320	732	280	100	270	211	14		115
YW-P400/E121	Ed121/6	850-2000	1.25	660	160								770							130
YW-P500/E121	Ed121/6	1440-2240	1.25	735	180	240	500	22	405	180	365	535	865	340	130	325	270	16		146
YW-P500/E201	Ed201/6	2240-3550																		
YW-P630/E121	Ed121/6	1700-2800																		
YW-P630/E201	Ed201/6	1700-4500	1.3	845	225	240	630	27	543	220	450	600	1032	420	170	400	330	20		165
YW-P630/E301	Ed301/6	3000-6300																		

*注：具体型号，结构及外形尺寸保留更改的权利。 Note: The size of the specific type and structure should be retained.

QWZ5系列气动鼓式制动器

QWZ5 SERIES PNEUMATIC DRUM BRAKES

应用 Application

- QWZ5系列气动鼓式制动器，广泛应用于现场配有气源的各种起重、皮带运输、矿山机械、冶金机械及港口装卸等各种机构的减速和停车制动。

APPLICATION

- QWZ5 series pneumatic drum brake is widely used for deceleration and parking brake of various hoisting, belt transportation, mining machinery, metallurgical machinery and port handling equipped with air source.

符合标准 Standards Compliant

- QWZ5系列气动制动器的安装尺寸符合DIN15435和JB/T7021-2006标准。技术要求符合JB/T6406-2006标准。

STANDARDS COMPLIANT

- The installation dimension of QWZ5 brake conforms to DIN15435 and JB/T7021-2006 standards. The technical requirements conform to JB/T6406-2006 standard.

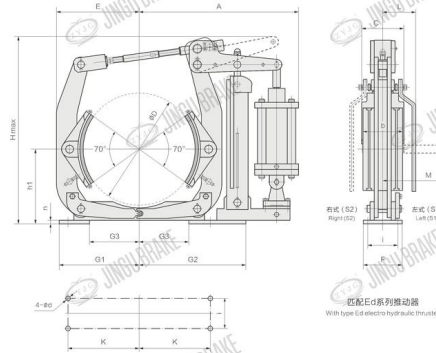
使用条件 Operating Condition

- 环境温度：-20℃~+50℃
- 制动器周围工作环境中不得有易燃、易爆及腐蚀性气体，否则应采用防腐型产品。
- 相对湿度：空气相对湿度不大于90%
- 工作压力：0.5~0.7MPa
- 有特殊要求时，在订货时协商确定。

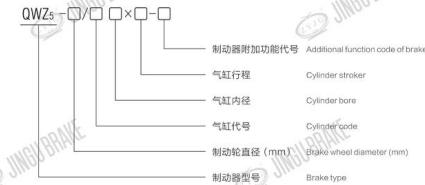
OPERATING CONDITION

- Ambient temperature: -20℃~+50℃
- Flammable, explosive and corrosive gases are not allowed in the surrounding working environment, otherwise anti-corrosion products should be used.
- Relative humidity: the relative humidity of the air is not more than 90%
- Operating air pressure: 0.5~0.7MPa
- Special requirements can be discussed before production.

安装及外形尺寸 Outline And Installation Dimension



型号意义 Model Significance



制动器附加功能表 ADDITIONAL FUNCTIONS

功能代号 Function code	表示意义 Model Significance
M	衬垫磨损制动补偿装置 Pad wear brake compensation device
K1	开闸限位行程开关 Opening limit travel switch
K2	闭闸限位行程开关 Closing limit travel switch
K3	衬垫磨损极限显示行程开关 Pad wear limit display switch
S1	左式手动装置 Left hand device
S2	右式手动装置 Right hand manual device

QWZ5系列鼓式制动器技术参数及外形尺寸 TECHNICAL DATA AND DIMENSIONS OF QWZ5 SERIES DRUM BRAKES

制动器型号 Brake type	匹配气缸型号 Air cylinder type	制动力矩 Brake torque (Nm)	速比 Gear ratio	安装及外形尺寸 Dimensions (mm)																重量 Weight (kg)	
				A	b	c	D	d	E	F	G1	G2	Hmax	h1	i	K	M	n	L		G3
QWZ5-160/32	QGA32x60MPsJY	80-160	1.0	335	65	47	160	14	145	85	145	195	440	132	55	130	125	8	145	65	24
QWZ5-200/32	QGA32x60MPsJY	100-335		372	70	47	200	14	175	90	165	265	500	160	55	145	151	10	150	75	26.5
QWZ5-250/32	QGA32x60MPsJY	125-350	1.0	433	90	47	250	18	205	110	200	290	585	190	65	180	180	12	180	100	36
QWZ5-250/40	QGA40x60MPsJY	300-550		435	54																36.5
QWZ5-315/32	QGA32x60MPsJY	150-450		492	47																55.5
QWZ5-315/40	QGA40x60MPsJY	315-710	1.25	495	110	54	315	18	255	115	245	330	585	230	80	220	207	17	170	135	56
QWZ5-315/50	QGA50x60MPsJY	630-1250		500	66																59.5
QWZ5-400/32	QGA32x60MPsJY	200-470		575	47								715								117
QWZ5-400/40	QGA40x60MPsJY	400-800	1.25	577	140	400	22	310	160	310	420		760	280	100	270	248	14	170	150	118
QWZ5-400/50	QGA50x60MPsJY	630-1250		685	66								775								121
QWZ5-400/63	QGA63x60MPsJY	1000-2240		685	76								775								121
QWZ5-500/50	QGA50x60MPsJY	800-1600		682	66								815								155
QWZ5-500/63	QGA63x60MPsJY	1250-2500	1.25	688	180	76	500	22	380	180	365	535	835	340	130	325	330	21	180	185	170
QWZ5-500/80	QGA80x60MPsJY	2000-4000		697	96								845								174
QWZ5-630/63	QGA63x60MPsJY	1600-3150		810	76																276
QWZ5-630/80	QGA80x60MPsJY	2500-5000	1.6	820	220	96	630	26	470	220	450	600	1025	420	170	400	405	20	185	280	280
QWZ5-630/100	QGA100x60MPsJY	3550-7100		830	115																287
QWZ5-710/63	QGA63x60MPsJY	1000-3250		870	76																401
QWZ5-710/80	QGA80x60MPsJY	2500-5600	1.6	880	255	96	710	27	530	240	500	650	1135	470	190	450	456	25	220	300	406
QWZ5-710/100	QGA100x60MPsJY	4000-8000		890	115																517

•注：630及以上规格制动器带M功能时，使用短行程气缸。 Note: Short-stroke cylinders will be adopted for thruster 630 or above types will M function.

•具体型号，结构及外形尺寸保留更改的权利。 The size of the specific type and structure should be retained.

TYWZ₂系列脚踏液压鼓式制动器

TYWZ₂ SERIES FOOT OPERATED HYDRAULIC DRUM BRAKES

应用 Application

- TYWZ₂系列脚踏液压鼓式制动器，主要用于起重、运输、冶金、矿山、港口、码头、建筑机械等中、小型起重机械运行机构的平稳减速制动，是一种常开式制动器，为操作人员提供了一种平稳放慢和减速制动的办法。

APPLICATION

- TYWZ₂ series pedal hydraulic drum brake is mainly used for the smooth deceleration braking of small and medium cranes, such as lifting, transportation, metallurgy, mining, port, wharf, construction machinery, etc. it is a kind of normally open brake, which provides a smooth deceleration and deceleration braking method for operators.

符合标准 Standards Compliant

- TYWZ₂系列脚踏液压鼓式制动器的安装尺寸符合DIN15435和JB/ZQ4388-2006标准。技术要求符合JB/T6406-2006标准。

STANDARDS COMPLIANT

- The installation dimensions of TYWZ₂ series foot hydraulic brake conform to din15435 and JB/ZQ4388-2006 standards. The technical requirements conform to JB/T6406-2006 standard.

主要特点 Main Feature

- 制动衬垫为卡装式整体成型结构，更换十分方便、快捷。
- 联锁式退距均衡装置和瓦块自动随位装置，使用过程中始终保持两侧瓦块退距均衡，避免因退距不均使一侧制动衬垫浮贴制动轮的现象。
- 主要摆动铰点均设有自润滑轴承，传动效率高，寿命长，使用中无需润滑。
- 带有手动闭合（上闸）装置，在非工作状态下有需要时，可通过其进行维持制动。

MAIN FEATURE

- Brake lining is of clamped integral forming structure, which is easy and quick to replace.
- Interlocking shoe clearance balancing device (patented technology) and shoe auto-aligning device constantly equalize the clearance of brake shoes on both sides and make adjustment unnecessary, completely avoiding brake lining one side sticking to brake wheel.
- Main hinge points are equipped with self-lubricating bearing, making high efficiency of transmission, long service life. Lubricating is unnecessary during operation.
- With manual closing (Upper Gate) device, it can be maintained and maintained in case of non working condition.

使用条件 Operating Condition

- 环境温度：-20℃~+50℃
- 制动器周围环境中，不得有易燃、易爆及足以腐蚀金属和破坏绝缘的气体导电尘埃的场所。
- 相对湿度：空气相对湿度不大于90%
- 使用地点的海拔高度符合GB755-2019
- 户外雨雪侵蚀或有腐蚀性气体和介质应采用防腐型产品。
- 有特殊要求时，在订货时协商确定。

OPERATING CONDITION

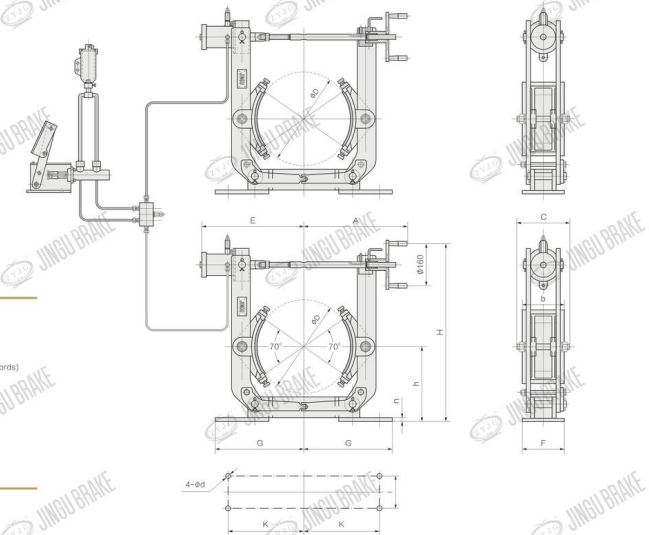
- Ambient temperature: -20℃~+50℃
- There shall be no inflammable, explosive gas and conductive dust that can corrode metal and destroy insulation in the environment around the brake.
- Relative humidity: the relative humidity of the air is not more than 90%
- The altitude of the place of use conforms to GB 755-2019
- Rain and snow erosion or corrosive gases and media should be corrosion resistant.
- Special requirements can be discussed before production.



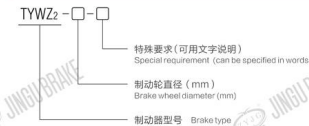
TYWZ₂系列 Series

安装及外形尺寸 Outline And Installation Dimension

安装型式：常开式安装
Installation type: Normally open installation



型号意义 Model Significance



产品示例 Product Examples

- TYWZ₂-200-CP-为防腐型

TYWZ₂系列鼓式制动器技术参数及外形尺寸 TECHNICAL DATA AND DIMENSIONS OF TYWZ₂ SERIES DRUM BRAKES

制动器型号 Brake type	制动力矩 Brake torque (Nm)	安装及外形尺寸 Dimensions (mm)													重量 Weight (kg)
		D	h	K	i	d	n	b	C	G	F	E	A	H	
TYWZ ₂ -200	0-200	200	170	175	60	17	10	90	135	195	100	300	320	440	42
TYWZ ₂ -300	0-400	300	240	250	80	22	12	140	160	275	130	360	380	610	56
TYWZ ₂ -315	0-400	315	240	250	80	22	12	125	186	275	130	375	390	610	60
TYWZ ₂ -400	0-800	400	320	325	130	22	14	180	210	380	180	445	445	780	84

注：具体型号，结构及外形尺寸保留更改的权利。 Note: The size of the specific type and structure should be retained.

JZ系列节能电磁铁鼓式制动器

JZ SERIES ENERGY SAVING ELECTROMAGNETIC DRUM BRAKE

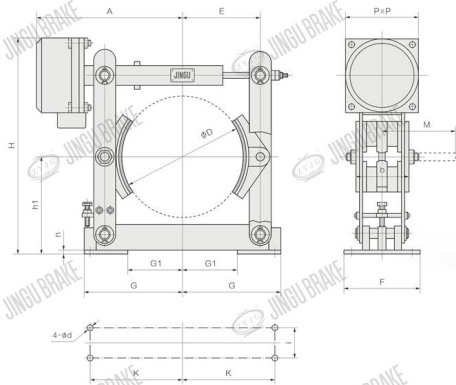
应用 Application

- JZ系列节能电磁铁鼓式制动器，广泛用于起重、运输、冶金、矿山、港口、码头、建筑机械等机械驱动装置的减速和停车制动。
- JZ系列节能电磁铁鼓式制动器的安装尺寸符合DIN15435和JB/ZQ4388-2006标准。技术要求符合JB/T7685-2006标准。

APPLICATION

- JZ series energy-saving electromagnet drum brake is widely used for deceleration and parking braking of mechanical driving devices such as lifting, transportation, metallurgy, mining, port, wharf, construction machinery, etc.
- The installation dimensions of JZ series energy-saving electromagnet drum brake conform to DIN15435 and JB/ZQ4388-2006 standards.
- The technical requirements conform to JB/T7685-2006 standard.

安装及外形尺寸 Outline And Installation Dimension



使用条件 Operating Condition

- 环境温度: -25℃~+40℃
- 电源电压: 交流AC 380V、50Hz
- 相对湿度: 使用地点空气相对湿度不大于90%
- 使用地点的海拔高度不超过2000m
- 制动器周围环境中,不得有易燃、易爆及足以腐蚀金属和破坏绝缘的气体和导电尘埃。
- 户外雨雪侵蚀或有腐蚀性气体和介质,应采用防腐型产品。
- 有特殊要求时,在订货时协商确定。

OPERATING CONDITION

- Ambient temperature: -25℃~+40℃
- Voltages: AC 380V, 50Hz
- Relative humidity: the relative humidity of the air is not more than 90%
- The altitude of the place of use shall not exceed 2000m
- There shall be no inflammable, explosive gas and conductive dust that can corrode metal and destroy insulation in the environment around the brake.
- Outdoor rain and snow/erosion or corrosive gases and media, should use anti-corrosion products.
- Special requirements can be discussed before production.



JZ系列 Series

主要特点 Main Feature

- 制动器出厂时配备铆接式制动瓦,如需更换卡装式整体成型结构,订货时请注明。
- 主要摆动支点均设有自润滑轴承,传动效率高,寿命长,使用中无需润滑。
- 常闭式设计,(断电)弹簧制动,(通电)电磁释放。

MAIN FEATURE

- Our brake is equipped with riveted brake pad, please tell us if you require clamped integral forming structure when booking order.
- Main turning points are equipped with self-lubricating bearing, making high efficiency of transmission, long service life. Lubricating is unnecessary during operation.
- Brake closes in case of power failure (Fail-Safe Principle). Braking by spring power. Electromagnetic release.

型号意义 Model Significance



产品示例 Product Examples

- JZ-400-CP-为防腐型

JZ系列电磁铁鼓式制动器技术参数 TECHNICAL DATA OF JZ SERIES ELECTROMAGNETIC DRUM BRAKES

表一

制动器型号 Brake type	制动轮直径 Brake wheel diameter (mm)	制动力矩 Brake torque (Nm)	退距 Clearance (mm)	重量 Weight (kg)	电磁铁型号 Type	配用电磁铁 Matching electromagnet				总重量 Total weight (kg)	
						额定引力(N) Rated gravity	行程 Stroke (mm)	操作频率 Operating Frequency (1/h)	电流 Current (A)		重量 Weight (kg)
JZ-100	100	40	0.5	12.5	DT-100	1000	3 6	1200	2 0.02	3.5	16
JZ-200	200	160	0.6	19	DT-200	1000	3 6	1200	2 0.02	7	26
JZ-300	300	500	0.8	52	DT-315	2800	3.5 7	1200	3 0.025	12	64
JZ-400	400	1250	0.8	100	DT-400	5000	4 8	900	3.5 0.03	17	117
JZ-500	500	2500	0.8	167	DT-500	5000	4 8	900	6.5 0.035	33	200
JZ-600	600	5000	1.0	345	DT-600	10000	5 9	600	8 0.06	72	417

- 注: 配用电磁铁变更不另行通知, 大规格电磁铁配用电控盒较大, 须另外放置。
Note: The electromagnet is changed without prior notice. The large size electromagnet is equipped with a large electric control box and must be placed separately.

JZ系列电磁铁鼓式制动器外形尺寸 DIMENSIONS OF JZ SERIES ELECTROMAGNETIC DRUM BRAKES

表二

制动器型号 Brake type	安装及外形尺寸 Dimensions (mm)														
	A	b	D	d	E	F	G	H	h1	i	K	M	P	n	G1
JZ-100	230	70	100	13	165	75	125	300	100	40	110	145	132	6	45
JZ-200	290	80	200	17	215	100	208	435	170	60	175/190	126	132	8	108
JZ-300	385	140	300	22	295	130	290	600	240	80	250/270	160	167	10	140
JZ-400	505	180	400	22	350	180	350	782	320	130	325	210	243	12	190
JZ-500	577	200	500	22	490	200	405	960	400	150	380	250	243	16	225
JZ-600	675	240	600	26	560	220	500	1160	475	170	475	305	271	18	250

- 注: 具体型号, 结构及外形尺寸保留更改的权利。 Note: The size of the specific type and structure should be retained.

ZWZA系列直流电磁鼓式制动器

ZWZA SERIES DC ELECTROMAGNETIC DRUM BRAKE

应用 Application

- ZWZA系列直流电磁鼓式制动器，主要用于电磁吊及各种直流驱动或直流电网的起重、港口装卸及冶金机械中各种机构的减速和停车制动。对于交流驱动的各种起重、港口装卸及冶金机械不推荐使用。

APPLICATION

- ZWZA series DC electromagnet drum brake is mainly used for electromagnetic lifting, lifting of various DC drive or DC power grid, deceleration and parking brakes of various mechanisms in port handling and metallurgical machinery. AC-driven lifting, port handling and metallurgical machinery are not recommended.

符合标准 Standards Compliant

- ZWZA系列制动器的安装尺寸和制动力矩参数符合JB/ZQ4386-2006标准。技术要求符合JB/T7685-2006标准。

STANDARDS COMPLIANT

- Installation dimensions and braking torque parameters of ZWZA series brakes are in accordance with JB/ZQ4386-2006. Technical requirements meet JB/T7685-2006 standards.



ZWZA系列 Series

使用条件 Operating Condition

- 环境温度: -25℃ ~ +40℃
- 操作频率: 小于720c/h
- 使用地点: 海拔高度不超过2000m
- 制动器周围工作环境中不得有易燃、易爆及足以腐蚀金属及破坏绝缘的气体和导电尘埃。
- 在空气相对湿度不大于90%的室内或有防雨、雪的装置下使用。
- 电源电压: 直流DC110V或DC220V, 若有特殊要求, 请订货时协商确定。

OPERATING CONDITION

- Ambient temperature: -25℃ ~ +40℃
- Operating frequency less than 720c/h
- The altitude of the place of use shall not exceed 2000m
- The working environment around the brake must be free from inflammable, explosive gases and conductive dust sufficient to corrode metals and destroy insulation.
- Used indoors with air relative humidity not more than 90% or under rain or snow protection devices.
- Power supply voltage: DC110V or DC220V. Please negotiate when ordering. Special requirements are required by users.

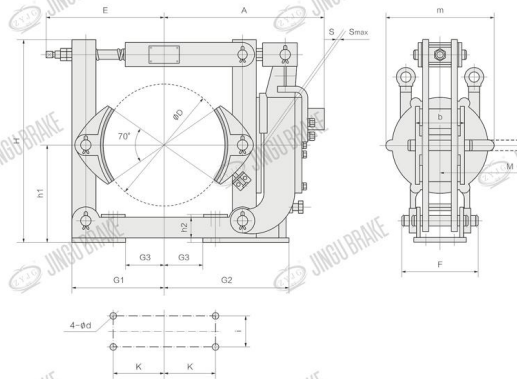
主要特点 Main Feature

- 制动弹簧在方管内置并有标尺, 保护弹簧不受损坏和污染。
- 主要摆动铰点均设有自润滑轴承, 传动效率高, 寿命长, 使用中无需润滑。
- 联锁式退距均等装置, 在使用中始终保持两侧瓦块退距均等, 避免因退距不均使一侧制动衬垫浮贴制动轮的现象。
- 常闭式设计, (断电) 弹簧制动, (通电) 电磁释放。

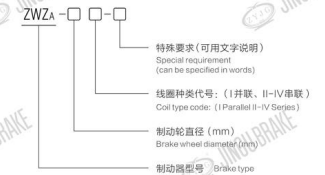
MAIN FEATURE

- Enclosed spring tube protects spring from damage and contamination.
- Main hinge points are equipped with self-lubricating bearing, making high efficiency of transmission, longer vice life. Lubricating is unnecessary during operation.
- Interlocking shoe clearance balancing device and shoe auto-aligning device constantly equalize the clearance of brake shoes on both sides and make adjustment unnecessary, completely avoiding brake lining one side sticking to brake wheel.
- Brake closes in case of power failure (Fail-Safe Principle). Braking by spring power. Electromagnetic release.

安装及外形尺寸 Outline And Installation Dimension



型号意义 Model Significance



产品示例 Product Examples

- ZWZA500-2500B-25% CP-为防腐型
- ZWZA800-9100B-40% CP-为防腐型

- 替代原ZWZ系列制动器
Replacement of original ZWZ series brake

ZWZA系列电磁鼓式制动器技术参数及外形尺寸 TECHNICAL DATA AND DIMENSIONS OF ZWZA SERIES DRUM BRAKES

制动器型号 Brake type	制动力矩 (Nm) brake torque								安装及外形尺寸 Dimensions (mm)														重量 Weight (kg)					
	并联线圈				串联线圈				D	h1	K	i	d	h2	b	A	E	F	H	G1	G2	M		D1	S	G3		
	通电持续率		60%额定电流		40%额定电流		通电持续率																					
	25%	40%	100%	25%	40%	25%	40%																					
ZWZA-400	1500	1200	550	1500	1200	900	550	400	320	170	90	28	90	180	540	390	170	670	305	415	320	355	22	130	168			
ZWZA-500	2500	1900	850	2500	1900	1500	1000	500	400	205	100	28	115	200	605	465	190	825	370	475	340	438	2.3	155	339			
ZWZA-600	5000	3550	1550	5000	3550	3000	2050	600	475	250	126	42	140	240	690	570	230	965	450	565	420	500	2.7	180	500			
ZWZA-700	8000	5750	2800	8000	5750	4800	3250	700	550	305	150	42	172	280	780	645	270	1115	515	625	480	577	3	235	689			
ZWZA-800	12500	9100	4400	12500	9100	7500	5550	800	600	350	180	42	176	320	855	710	300	1250	580	700	540	650	3.3	290	881			

*注: 具体型号, 结构及外形尺寸保留更改的权利。 Note: The size of the specific type and structure should be retained.

并联线圈技术参数 TECHNICAL PARAMETERS OF PARALLEL COILS

表一

线圈种类 Coil Type	型号 Type	名称	ZWZ-400			ZWZ-500			ZWZ-600			ZWZ-700			ZWZ-800				
			20°C 电阻 (欧) (Ω)	功率 (W)	附加电阻 (欧) (Ω)	20°C 电阻 (欧) (Ω)	功率 (W)	附加电阻 (欧) (Ω)	20°C 电阻 (欧) (Ω)	功率 (W)	附加电阻 (欧) (Ω)	20°C 电阻 (欧) (Ω)	功率 (W)	附加电阻 (欧) (Ω)	20°C 电阻 (欧) (Ω)	功率 (W)	附加电阻 (欧) (Ω)		
I	110	不加附加电阻	25	900	-	1010	-	1330	-	1860	-	1740	-	1740	-	1740	-	1740	-
			40	14.15	630	6	12.6	725	5	9.6	940	4	6.85	1370	2.5	5.2	1010	7.3	
		110 附加电阻	25	900	-	1010	-	1330	-	1860	-	2400	-	2400	-	2400	-	2400	-
			40	20.8	580	-	15.6	780	-	12.3	985	-	9.95	1220	-	5.2	-	-	-
		220	25	1500	20	1700	18	2100	14	3200	9.4	3920	7.7	3920	9.4	5.2	2930	12	
			40	14.15	1100	32	12.6	1230	29	9.6	1610	22	6.85	2400	15	5.2	1710	24	
	220 附加电阻	25	49.8	970	-	45.4	1070	-	32.3	1500	-	25.1	1930	-	5.2	-	-	-	
		40	75	645	-	71.5	680	-	49.2	985	-	37.7	1285	-	5.2	-	-	-	
	440	25	2680	58	3010	55	3950	42	5700	29	7170	23	7170	29	5.2	5460	32		
		40	14.15	2070	84	12.6	2300	79	9.6	3010	58	6.85	4400	39	5.2	3320	49		
			100	1270	146		1420	130		1840	100		2890	68					

*注: 20°C时额定电压下线圈和附加电阻消耗功率。 Note: Power consumption of coil and additional resistor under rated voltage at 20°C.
 *表格中JC代表接电持续率。 JC in the table represents the power factor rate.

串联线圈技术参数 TECHNICAL PARAMETERS OF SERIES COILS

表二

线圈种类 Coil Type	型号 Type	名称	ZWZ-400			ZWZ-500			ZWZ-600			ZWZ-700			ZWZ-800							
			额定电流 (A) Rated current	20°C 电阻 (欧) (Ω)	JC	额定电流 (A) Rated current	20°C 电阻 (欧) (Ω)	JC	额定电流 (A) Rated current	20°C 电阻 (欧) (Ω)	JC	额定电流 (A) Rated current	20°C 电阻 (欧) (Ω)	JC	额定电流 (A) Rated current	20°C 电阻 (欧) (Ω)	JC					
II			96.5	75	59	0.089	201	156	123	0.0285	209	162	128	0.0394	302	234	185	0.023	595	460	363	0.0075
III			139	108	85.5	0.043	316	245	193	0.0115	300	233	184	0.019	715	555	438	0.0041	1355	1050	830	0.0014
IV			192	149	118	0.025	495	383	302	0.0074	510	395	312	0.00065	1175	910	720	0.0015	-	-	-	-
V			233	179	141	0.0174	-	-	-	-	630	490	387	0.00043	-	-	-	-	-	-	-	-
VI			268	208	164	0.0128	-	-	-	-	-	-	-	-	-	-	-	-	-	-	-	-
VII			346	268	212	0.0078	-	-	-	-	-	-	-	-	-	-	-	-	-	-	-	-

*注: 具体型号, 结构及外形尺寸保留更改的权利。
 Note: The size of the specific type and structure should be retained.

TYW系列液压鼓式制动器
 TYW SERIES HYDRAULIC DRUM BRAKE

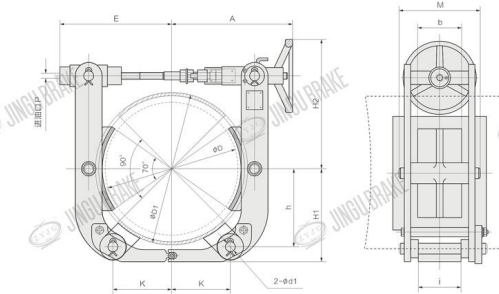
应用 Application

• TYW系列液压鼓式制动器为液压驱动, 卧式安装的常开式制动器, 通过脚踏式液压泵进行控制, 主要用于中小型门座式起重机和塔式起重机等回转机构的减速制动。带有手动抱闸装置, 在非工作状态下, 可通过其进行随意制动。

APPLICATION

• TYW series hydraulic drum brake is hydraulically driven and horizontally mounted normally open brake controlled by pedal hydraulic pump. It is mainly used for deceleration braking of small and medium portal cranes and tower cranes. With manual braking device, it can be braked at will under non-working conditions.

安装及外形尺寸 Outline And Installation Dimension



TYW系列 Series

TYW系列制动器技术参数及外形尺寸 TECHNICAL DATA AND DIMENSIONS OF TYW SERIES DRUM BRAKES

制动器型号 Brake type	油压 (MPa) Oil pressure	额定制动力矩 Brake torque (Nm)	安装及外形尺寸 (Dimensions in mm)													重量 Weight (kg)
			p	D	h	K	b	i	d1	A	E	H1	H2	D1	M	
TYW-300	1-2	200-400	M10x1	300	190	135	125	100	30	330	320	235	380	380	200	40
TYW-315				315	190	135	110									42
TYW-400	2-3	600-800	M10x1	400	235	177	140	104	30	365	355	280	380	470	220	50
TYW-500				500	280	195	180			440	500	342	480	570	224	60

ZWZ₃系列直流电磁鼓式制动器

ZWZ₃ SERIES DC ELECTROMAGNETIC DRUM BRAKE

应用 Application

- ZWZ₃系列直流电磁鼓式制动器，主要用于电磁吊及各种直流驱动或直流电网的起重、港口装卸及冶金机械中各种机构的减速和停车制动。对于交流驱动的各种起重、港口装卸及冶金机械不推荐使用。

APPLICATION

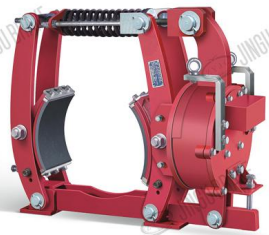
ZWZ₃ series DC electromagnetic drum brake is mainly used for electromagnetic lifting, lifting of various DC drive or DC power grid, deceleration and parking brakes of various mechanisms in port handling and metallurgical machinery. AC-driven lifting, port handling and metallurgical machinery are not recommended.

符合标准 Standards Compliant

- ZWZ₃系列制动器的安装尺寸和制动力矩参数及技术的要求符合GB6334-86标准。技术要求符合JB/T7685-2006标准。

STANDARDS COMPLIANT

Installation dimensions, braking torque parameters and technical requirements of ZWZ₃ series brakes are in accordance with GB6334-86. Technical requirements meet JB/T7685-2006 standards.



ZWZ₃系列 Series

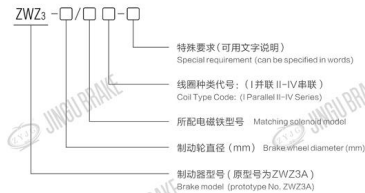
使用条件 Operating Condition

- 环境温度：-25℃~+40℃
- 相对湿度：空气相对湿度不大于90%
- 周围工作环境中，在无爆炸危险介质及无足以腐蚀金属和破坏绝缘的气体及导电尘埃的场所。
- 操作频率小于720c/h
- 使用地点的海拔高度不超过2000m
- 并联线圈额定电压为110V，通电持续率为25%，若选用其它电压等级及持续通电率，需串联附加电阻（附加电阻用户自备）。
- 户外雨雪侵蚀或有腐蚀性气体和介质应采用防腐型产品。

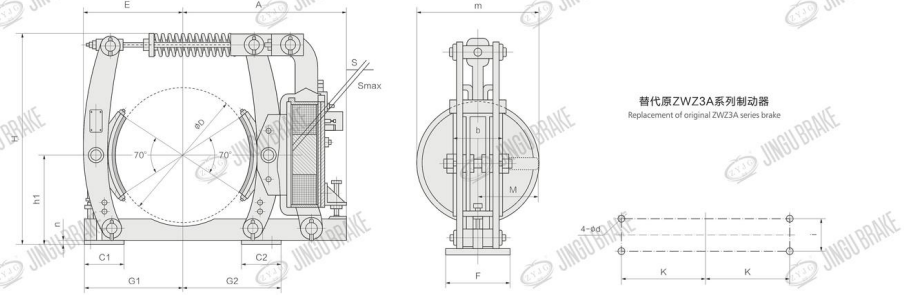
OPERATING CONDITION

- Ambient temperature: -25℃~+40℃
- Relative humidity: the relative humidity of the air is not more than 90%
- In the surrounding working environment, there is no explosive hazardous medium and no gas or conductive dust sufficient to corrode metals and destroy insulation.
- Operating frequency less than 720c/h
- The altitude of the place of use shall not exceed 2000 m
- The rated voltage of the shunt coil is 110V and the power-on continuous rate is 25%. If other voltage levels and continuous power-on rates are specified, additional resistors in series (additional resistors provided by users) are required.
- Outdoor rain and snow erosion or corrosive gases and media should be corrosion resistant.

型号意义 Model Significance



安装及外形尺寸 Outline And Installation Dimension



ZWZ₃系列电磁鼓式制动器技术参数及外形尺寸 TECHNICAL DATA AND DIMENSIONS OF ZWZ₃ SERIES DRUM BRAKES

制动器型号 Brake type	制动力矩 (Nm) Brake torque								安装及外形尺寸 Dimensions (mm)													重量 Weight (kg)			
	并联线圈				串联线圈				A	b	C1 C2	d	D	E	F	G1 G2	H	h1	i	K	M		m	n	S Smax
	25%	40%	100%	25%	40%	25%	40%	通电持续率																	
ZWZ ₃ -400/400	1250	1000	500	1250	1000	800	500	640	160	140	22	400	320	140	310	670	280	100	270	357	355	12	2/3	208	
ZWZ ₃ -400/500	2000	1400	630	2000	1400	1250	710														438		2.3/3.5	216	
ZWZ ₃ -500/400	1250	1000	450	1250	1000	800	450														355		2/3	268	
ZWZ ₃ -500/500	2000	1600	710	2000	1600	1250	800	622	200	150	22	500	375	180	365	820	335	130	325	428	438	16	2.3/3.5	316	
ZWZ ₃ -500/600	3550	3150	1400	3550	3150	2500	1800														500		2.7/4	357	
ZWZ ₃ -630/500	2240	1800	800	2240	1800	1400	900														438		2.3/3.5	479	
ZWZ ₃ -630/600	5000	3550	1600	5000	3550	2800	2000	712	250	180	27	630	464	220	450	1011	425	170	400	510	500	20	2.7/4	497	
ZWZ ₃ -630/700	6300	4500	2240	6300	4500	4000	2500														577		3/4.5	541	
ZWZ ₃ -710/600	5000	3550	1600	5000	3550	2800	2000														500		2.7/4	520	
ZWZ ₃ -710/700	7100	5000	2240	7100	5000	4000	2800	780	280	190	27	710	505	240	600	1125	475	190	450	622	577	22	3/4.5	580	
ZWZ ₃ -710/800	10000	7100	3550	10000	7100	5600	4000														650		3.3/5	646	
ZWZ ₃ -800/700	7100	5000	2500	7100	5000	4500	2800														577		3/4.5	800	
ZWZ ₃ -800/800	10000	8000	3550	10000	8000	6300	4000	870	320	180	27	800	590	280	645	1235	530	210	520	690	650	22	3.3/5	911	

*注：具体型号，结构及外形尺寸保留更改的权利。 Note: The size of the specific type and structure should be retained.

MW(Z)系列电磁铁鼓式制动器

MW(Z) SERIES ELECTROMAGNETIC DRUM BRAKES

应用 Application

- MW(Z)系列电磁铁鼓式制动器，广泛用于起重、运输、冶金、矿山、港口、码头、建筑机械等机械驱动装置的减速和停车制动。

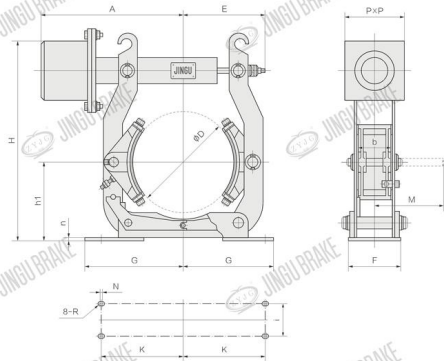
APPLICATION

- MW(Z) series electromagnetic drum brakes are widely used for deceleration and parking brakes of mechanical drive devices such as lifting, transportation, metallurgy, mines, ports, docks and construction machinery.

符合标准 Standards Compliant

- 该系列制动器的安装尺寸和制动力矩参数及技术要求符合JB/T7685-2006标准。
- Installation dimensions, braking torque parameters and technical requirements of this series of brakes conform to JB/T7685-2006 standard.

安装及外形尺寸 Outline And Installation Dimension



使用条件 Operating Condition

- 环境温度：-25℃~+40℃
- 交流380V、50Hz电源，MWZ产品为直流电源，额定电压为220V。
- 制动器周围工作环境中不得有易燃、易爆及足以腐蚀金属及破坏绝缘的气体导电尘埃。
- 相对湿度：空气相对湿度不大于90%
- 使用地点的海拔高度不超过2000m
- 户外雨雪侵蚀或有腐蚀性气体和介质应采用防腐型产品。
- 有特殊要求时，在订货时协商确定。

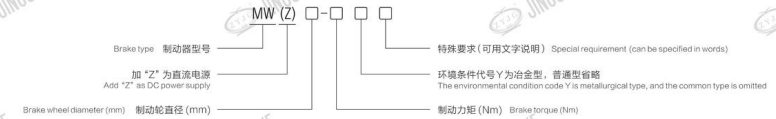
OPERATING CONDITION

- Ambient temperature: -25℃~+40℃
- AC 380V 50Hz, The MWZ product is a DC power supply, with a rated voltage of 220V.
- The working environment around the brake must be free from inflammable, explosive gases and conductive dust sufficient to corrode metals and destroy insulation.
- Relative humidity: the relative humidity of the air is not more than 90%
- The altitude of the place of use shall not exceed 2000m
- Rain and snow erosion or corrosive gases and media should be corrosion resistant
- Special requirements can be discussed before production.



MW(Z)系列 Series

型号意义 Model Significance



MW(Z)系列电磁铁鼓式制动器技术参数 TECHNICAL DATA OF MW(Z) SERIES ELECTROMAGNETIC DRUM BRAKES

表一

制动器型号 Brake type	制动轮直径 Brake wheel diameter (mm)	制动力矩 Brake torque (Nm)	退距 Clearance (mm)	配用电磁铁 Matching electromagnet					电流 Current (A)		总重量 Total weight (kg)
				电磁铁型号 Type	通电持续率 Power on duration	额定引力 (N) Rated gravity	最大行程/ 初始行程 (mm)	操作频率 Operating frequency (1/h)	启动	保持	
MWZ160-80	160	80	0.5	DT-160	0-100%	1000	6/3	1200	2.0	0.02	17
MWZ200-160	200	160	0.6	DT-200	0-100%	1000	6/3	1200	2.0	0.02	30
MWZ250-315	250	315	0.6	DT-250	0-100%	2800	7/3.5	1200	2.5	0.02	42
MWZ315-630	315	630	0.8	DT-315	0-100%	2800	7/3.5	900	3	0.025	90
MWZ400-1250	400	1250	0.8	DT-400	0-100%	5000	8/4	900	3.5	0.03	158
MWZ500-2500	500	2500	1.0	DT-500	0-100%	8000	8/4	600	6.5	0.035	204
MWZ630-5000	630	5000	1.0	DT-630	0-100%	10000	9/5	600	8	0.06	355
MWZ710-8000	710	8000	1.25	DT-710	0-100%	15000	10/6	600	11	0.08	403
MWZ800-10000	800	10000	1.25	DT-800	0-100%	18000	11/6	600	14	0.15	702

MW(Z)系列电磁铁鼓式制动器外形尺寸 DIMENSIONS OF MW(Z) SERIES ELECTROMAGNETIC DRUM BRAKES

表二

制动器型号 Brake type	安装及外形尺寸 Dimensions (mm)														
	A	b	D	d	E	F	G	H	h1	i	K	M	P	n	G1
MWZ160-80	240	65	160	14	165	85	145	341	132	55	130	149	132	8	65
MWZ200-160	270	70	200	14	210	90	165	390	160	55	145	165	132	10	75
MWZ250-315	330	90	250	18	246	100	200	518	190	65	180	207	167	12	100
MWZ315-630	369	110	315	18	306	115	245	626	230	80	220	228	167	14	135
MWZ400-1250	470	140	400	22	380	160	310	764	280	100	270	284	243	14	150
MWZ500-2500	560	180	500	22	440	180	365	895	340	130	325	343	243	21	185
MWZ630-5000	650	225	630	27	460	220	450	1120	420	170	400	422	271	20	280
MWZ710-8000	670	255	710	27	535	240	500	1135	470	190	450	447	350	25	300
MWZ800-10000	835	265	800	27	650	280	570	1315	530	210	520	470	400	26	300

- 注：配用电磁铁变更另行通知，大规格电磁铁配用电控盒较大，须另外放置。
Note: The change of electromagnet will not be notified. The large size electromagnet with electric control box is larger, so it must be placed separately.

YWZ4厂用防爆型电力液压鼓式制动器

YWZ4 EXPLOSION PROTECTED ELECTRO-HYDRAULIC DRUM BRAKES

应用 Application

- 防爆型电力液压鼓式制动器，广泛应用于有防爆要求的各种起重运输、皮带运输、港口装卸、冶金及建筑机械中各种机构的减速和停车制动。

APPLICATION

Explosion protected electro-hydraulic drum brakes can be extensively used for deceleration and stop braking of various mechanisms in various belt transport, port handling, hoisting, metallurgical and building machinery which have explosion protected requirements.

符合标准 Standards Compliant

- YWZ4防爆型电力液压制动器安装尺寸和制动力矩参数符合JB/ZQ4388-2006标准。技术要求符合JB/T6406-2006标准。

STANDARDS COMPLIANT

The dimensions and braking torque parameters of YWZ4 series brakes comply with JB/ZQ4388-2006 standard, technology requirements comply with JB/T6406-2006 standard.

主要特点 Main Feature

- 性能安全可靠，制动平稳，动作频率高。
- 主要摆动支点均设有自润滑轴承，传动效率高，寿命长，使用过程中无需润滑。
- 联锁式退距均等装置，在使用中始终保持两侧瓦块退距均等，避免因退距不均使一侧制动衬垫浮贴制动轮的现象。
- 无石棉制动衬垫与制动瓦块采用卡箍插入式。安全可靠，更换方便、快捷。

MAIN FEATURE

- Safe and reliable performance, smooth braking, high action frequency.
- Main hinge points are equipped with self-lubricating bearing, making high efficiency of transmission, long service life. Lubricating is unnecessary during operation.
- Interlocking shoe clearance balancing device and shoe auto-aligning device constantly equalize the clearance of brake shoes on both sides and make adjustment unnecessary, completely avoiding brake lining one side sticking to brake wheel.
- The non asbestos brake pad and the brake pad adopt the clamping plug-in type. It is safe and reliable, convenient and quick to replace.

使用条件 Operating Condition

- 环境温度：-20℃~+40℃
- 周围工作环境中不得有易燃、易爆及腐蚀性气体，否则应采用防腐型产品。
- 相对湿度：空气相对湿度不大于90%
- 使用地点的海拔高度不超过2000m
- 工作制：间歇性（S3-60%）和连续（S1）
- 电源电压：三相交流 AC 380~460V，50Hz/60Hz
- 有特殊要求时，在订货时协商确定。

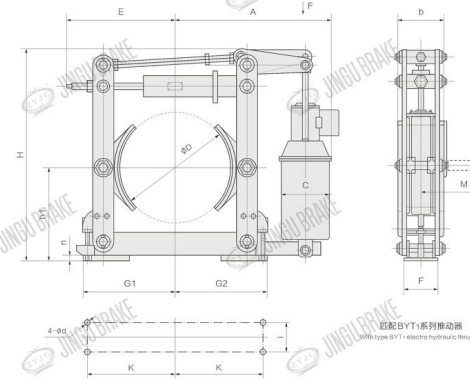
OPERATING CONDITION

- Ambient temperature: -20℃~+40℃
- Flammable, explosive and corrosive gases are not allowed in the surrounding working environment, otherwise anti-corrosion products should be used.
- Relative humidity: the relative humidity of the air is not more than 90%
- The altitude of the place of use shall not exceed 2000m
- Operating duty: intermittent (S3-60%) and continuous (S1).
- Volts: three-phase AC, rated voltage is 380V~460V, frequency is 50Hz/60Hz.
- Special requirements can be discussed before production.



YWZ4系列 Series

安装及外形尺寸 Outline And Installation Dimension



型号意义 Model Significance



产品示例 Product Examples

- 轮径φ300mm，推动器BYT1-45Z/6 标记为：YWZ4-300/B45

制动器附加功能表 ADDITIONAL FUNCTIONS

功能代号	表示意义 Model Significance
K1	开闸（上升）行程开关 Opening limit travel switch
K2	闭闸（下降）行程开关 Closing limit travel switch
K3	衬垫磨极限显示行程开关 Pad wear limit display switch

YWZ4系列防爆型鼓式制动器技术参数及外形尺寸 TECHNICAL DATA AND DIMENSIONS OF YWZ4 SERIES EXPLOSION-PROOF DRUM BRAKES

制动器型号 Brake type	匹配推动器 Thrustor type	制动力矩 Brake torque (Nm)	退距 Clearance (mm)	安装及外形尺寸 (Dimensions (mm))																重量 Weight (kg)
				A	b	C	D	d	E	F	G1	G2	H	h1	i	K	M	n		
YWZ4-100/B18	BYT1-18Z/2	40	0.6	269	70	137	100	13	125	75	125	125	384	100	40	110	138	6	25	
YWZ4-150/B25	BYT1-25Z/4	100		307	90	154	150	17	173	100	170	170	437	140	60	150	138	8	33	
YWZ4-200/B25	BYT1-25Z/4	200		347	90	154	200	17	210	100	195	195	440	170	60	175	156	10	42	
YWZ4-300/B25	BYT1-25Z/4	320	0.7	447	140	154	300	22	281	130	280	280	592	240	80	250	200	12	73	
YWZ4-300/B45	BYT1-45Z/5	630		459	178								600					10	80	
YWZ4-400/B45	BYT1-45Z/6	1000		564	178								735						130	
YWZ4-400/B90	BYT1-90Z/8	1600	0.8	580	180	210	400	22	370	180	360	360	740	320	130	325	265	12	160	
YWZ4-400/B125	BYT1-125Z/10	2200		632	160	254							850					271	167	
YWZ4-500/B90	BYT1-90Z/8	2500		670		210							890						210	
YWZ4-500/B125	BYT1-125Z/10	2650	0.8	775	200	210	500	22	440	200	415	415	885	400	150	380	310	16	220	
YWZ4-500/B180	BYT1-180Z/10	3000		692		254							940						235	
YWZ4-600/B90	BYT1-90Z/8	3200		805		210	600	26	555	220	505	520	1082	475	170	475	390	18	430	
YWZ4-600/B180	BYT1-180Z/12	5000	0.8	827		254														
YWZ4-700/B180	BYT1-180Z/12	8000		957	280	254	700	34	705	270	580	600	1225	550	200	540	585	25	500	
YWZ4-800/B180	BYT1-180Z/12	10000		1094		320	800	34	772	320	677	697	1417	600	240	620	510	25	720	
YWZ4-800/B320	BYT1-320Z/12	12500	0.8	1155		375													885	

注：具体型号，结构及外形尺寸保留更改的权利。 Note: The size of the specific type and structure should be retained.

YWZ₅矿用防爆型电力液压鼓式制动器

YWZ₅ EXPLOSION PROTECTED ELECTRO-HYDRAULIC DRUM BRAKES

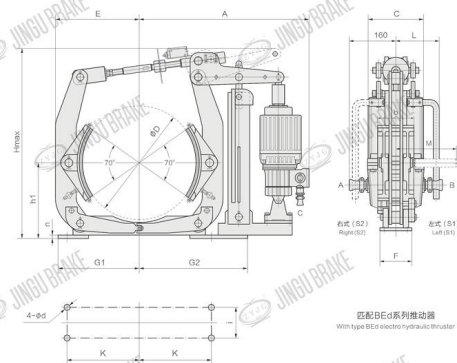
概述 Overview

- 防爆型电力液压鼓式制动器，广泛应用于有防爆要求的各种起重运输、皮带运输、港口装卸、冶金及建筑机械中各种机构的减速和停车制动。
- YWZ₅系列防爆型电力液压制动器的安装尺寸制动力矩参数符合GB6333-86标准。技术要求符合JB/T6406-2006标准。

OVERVIEW

- Explosion protected electro-hydraulic drum brakes can be extensively used for deceleration and stop braking of various mechanisms in various belt transport, port handling, hoisting, metallurgical and building machinery which have explosion protected requirements.
- The dimensions and braking torque parameters of YWZ₅ series brakes comply with GB6333-86 standard, technical requirements comply with JB/T6406-2006 standard.

安装及外形尺寸 Outline And Installation Dimension



主要特点 Main Feature

- 自动补偿装置，当刹车片磨损时，可自动调整拉杆长度，保证制动器的安全行程，有效防止刹车片的磨损造成制动力失效的现象。
- 制动闸瓦弧面自动对中装置，制动器开闸时避免制动衬垫浮贴制动轮表面，自动对中无需人工调整维护。
- 联锁式退距均衡装置，自动调整两侧制动闸瓦与制动轮的间隙，松闸时保证刹车片弧面与制动轮表面完全分离，避免出现刹车片单边偏磨现象。
- 制动时间可调装置，可根据各种工况需求，调整制动器的不同制动时间。

OPERATING CONDITION

- Automatic compensation device, when the brake pads are worn, can automatically adjust the length of the tie rod to ensure the safe travel of the brake, effectively prevent the brake force failure caused by the wear of the brake pads.
- Automatic centering device for brake shoe arc surface, avoids brake pad floating on the surface of brake wheel when brake is opened, and automatic centering does not require manual adjustment and maintenance.
- Interlocking equal retraction equalizing device automatically adjusts the clearance between the brake shoe and brake wheel on both sides. When loosening the brake, it ensures that the arc surface of brake pad is completely separated from the surface of brake wheel and avoids brake pad one-sided eccentric wear.
- Adjustable braking time device, which can adjust different braking time according to various operating conditions.

型号意义 Model Significance



产品示例 Product Examples • 轮径 φ315mm, 推动器 BEd50/6 标记为: YWZ₅-315/B50

制动器附加功能表 ADDITIONAL FUNCTIONS

功能代号	表示意义 Model Significance	
M	衬垫磨损制动补偿装置	Pad wear brake compensation device
K1	开闸（上升）行程开关	Opening limit travel switch
K2	闭闸（下降）行程开关	Closing limit travel switch
K3	衬垫磨损极限显示行程开关	Pad wear limit display switch

YWZ₅系列防爆型鼓式制动器技术参数和外形尺寸 TECHNICAL DATA AND DIMENSIONS OF YWZ₅ SERIES EXPLOSION-PROOF DRUM BRAKES

制动器型号 Brake type	匹配推动器型号 Thrustor type	制动力矩 Brake torque (Nm)	安装及外形尺寸 Dimensions (mm)																重量 (kg)
			A	b	C	D	d	E	F	G1	G2	H	h1	i	K	M	n	L	
YWZ ₅ -160/B30	Ed30/5 Ex	80-160	515	65	160	160	14	145	85	145	195	540	132	55	130	145	8	145	48
YWZ ₅ -200/B30	Ed30/5 Ex	140-315	543	80	200	200	175	90	165	265	160	160	145	145	140	10	150	51	
YWZ ₅ -250/B30	Ed30/5 Ex	180-315	637	100	160	250	18	205	110	200	290	570	190	65	180	160	12	180	58
YWZ ₅ -250/B50	Ed50/6 Ex	315-500	195	160	195	250	18	205	110	200	290	610	190	65	180	160	12	180	67
YWZ ₅ -300/B30	Ed30/5 Ex	250-400	692	125	190	300	18	255	115	245	330	625	225	80	220	180	12	170	83
YWZ ₅ -300/B50	Ed50/6 Ex	400-630	692	125	190	300	18	255	115	245	330	625	225	80	220	180	12	170	97
YWZ ₅ -300/B80	Ed80/6 Ex	630-1000	749	160	190	300	18	255	115	245	330	625	225	80	220	180	12	170	97
YWZ ₅ -315/B30	Ed30/5 Ex	250-400	692	125	190	315	18	255	115	245	330	625	225	80	220	180	12	170	97
YWZ ₅ -315/B50	Ed50/6 Ex	400-630	692	125	190	315	18	255	115	245	330	625	225	80	220	180	12	170	97
YWZ ₅ -315/B80	Ed80/6 Ex	630-1000	749	160	190	315	18	255	115	245	330	625	225	80	220	180	12	170	127
YWZ ₅ -400/B80	Ed80/6 Ex	630-1250	764	160	240	400	22	310	160	310	420	775	280	100	270	220	14	170	140
YWZ ₅ -400/B121	Ed121/6 Ex	1000-2000	864	200	240	500	22	385	180	365	535	845	335	130	325	280	16	180	205
YWZ ₅ -500/B121	Ed121/6 Ex	1120-2500	989	240	240	600	26	470	220	450	600	1035	425	170	400	340	25	185	310
YWZ ₅ -500/B201	Ed201/6 Ex	2000-4000	989	240	240	600	26	470	220	450	600	1035	425	170	400	340	25	185	310
YWZ ₅ -600/B201	Ed201/6 Ex	2500-4500	989	240	240	600	26	470	220	450	600	1035	425	170	400	340	25	185	315
YWZ ₅ -600/B301	Ed301/12 Ex	4000-6500	1044	280	240	700	27	525	240	500	650	1140	475	190	450	360	30	220	430
YWZ ₅ -630/B201	Ed201/6 Ex	2500-5000	1044	280	240	700	27	525	240	500	650	1140	475	190	450	360	30	220	435
YWZ ₅ -630/B301	Ed301/12 Ex	4000-8000	1044	280	240	700	27	525	240	500	650	1140	475	190	450	360	30	220	435
YWZ ₅ -700/B201	Ed201/6 Ex	2500-5600	1044	280	240	710	27	525	240	500	650	1140	475	190	450	360	30	220	430
YWZ ₅ -700/B301	Ed301/12 Ex	4000-8000	1044	280	240	710	27	525	240	500	650	1140	475	190	450	360	30	220	435
YWZ ₅ -710/B201	Ed201/6 Ex	2500-5600	1044	280	240	710	27	525	240	500	650	1140	475	190	450	360	30	220	435
YWZ ₅ -710/B301	Ed301/12 Ex	4000-8000	1044	280	240	710	27	525	240	500	650	1140	475	190	450	360	30	220	430

•注：具体型号，结构及外形尺寸保留更改的权利。 Note: The size of the specific type and structure should be retained.

YPZ₂系列电力液压臂盘式制动器

YPZ₂ SERIES ELECTRO-HYDRAULIC DISC BRAKES

应用 Application

- 电力液压臂盘式制动器是一种高性能、多功能的先进产品。由于具有瓦块退距自动均等，衬垫磨损、自动补偿等先进功能，使用过程中维护非常便捷。通过增设各种限位开关，可给主机PLC提供所需的联锁保护信号。广泛用于现代化的大型专用装卸机械、冶金设备、起重运输机械、矿山设备及工程机械中各种机构的减速和维持（停车）制动。

主要特点 Main Feature

- 无石棉制动衬垫为插装式，更换方便快捷。
- 联锁退距均等装置和瓦块自动限位装置，使用过程中可始终保持两侧瓦块退距均等且无需调整，完全避免制动衬垫浮贴制动盘的现象。
- 主要摆动铰点均设有自润滑轴承，使用过程中无需润滑；传动效率高，动作灵敏，制动器闭合（上闸）时间为0.25~0.4s。
- 无级衬垫磨损自动补偿装置，可使瓦块退距和制动力矩在使用过程中保持恒定，免去经常调整的麻烦。
- 制动弹簧设在方管内布置并设有标尺，保护弹簧不受损坏和污染。
- 采用Ed系列推动器配套，动作灵敏，寿命长。
- 常闭式设计，（断电）弹簧制动，（通电）推动器释放。

使用条件 Operating Condition

- 环境温度：-20℃~+50℃
- 相对湿度：空气相对湿度不大于90%
- 电源电压：3相、交流380V、50Hz（根据需要也可生产60Hz或不同的电压，请订货时说明）
- 工作制：间歇性（S3-60%，1200次/小时）和连续（S1）
- 使用地点的海拔高度符合GB755-2019。当低于-20℃时，推动器工作油改用YH-10航空液压油或按要求带加热器，详情参考Ed推动器样本。
- 户外雨雪侵蚀或有腐蚀性气体和介质应采用防腐型产品。
- 有特殊要求时，在订货时协商确定。

APPLICATION

Electro-hydraulic disc brakes are advanced products with high performance and multiple functions. They are maintenance-friendly due to advanced functions applied to them such as automatic shoe clearance balancing and wear self-compensation device. Various limit switches can provide interlocking protection signal to main machinery PLC. They fit very well for decelerating and stop/braking large-scale modern machines such as loading and unloading machinery, lifting and transporting machinery, metallurgy equipment and mining equipment.

MAIN FEATURE

- Brake linings are plug-in style, which are easy to replace.
- Interlocking shoes clearance balancing device and shoe auto-aligning device, constantly equalize the clearance of brake shoes on both sides and no need to adjust, thus completely avoid one side of brake lining sticking to brake disc.
- Self-lubricating bearings are equipped at main hinge points, which bring high efficiency of transmission, long performance life and unnecessary to lubricate during the course of operation. The closing time is short (only 0.25-0.4s).
- Wear-self-compensation devices can realize self-compensation of shoes clearance and relatively constant brake torque. It avoids the trouble of adjusting.
- Enclosed spring tube protects spring from damage and contamination.
- The Ed series thrusters are characterized by flexible action and long operating life.
- Brake closes in case of power failure (Fail-Safe Principle). Braking by spring power. Lifting by thruster.

OPERATING CONDITION

- Ambient temperature: -20°C + 50°C
- Relative humidity: air relative humidity is not more than 90%
- Voltages: AC 3 phase 380V, 50Hz. Also produces 60Hz or different voltages as needed, please indicate when ordering.
- Operating duty: Intermittent (S3-60%, 1200 times per hour) and continuous (S1)
- Altitude in accordance with GB755-2019 of the place of use. When lower than -20°C, promoting the YH-10 aviation hydraulic oil instead of oil or belt as required and heat exchanger, for details refer to the Ed driver samples.
- Outdoor rain and snow erosion or corrosive gases and media should use anti-corrosion products.
- Special requirements can be discussed before production.

符合标准 Standards Compliant

- YPZ₂I、II、III制动力矩参数符合德国DIN15433标准，YPZ₂IV、V、VI符合德国DIN15433标准和JB/T7020-2006标准。
- 配备符合DIN15430标准的Ed系列电力液压推动器。

STANDARDS COMPLIANT

- The braking torque parameters of YPZ₂I, II and III conform to the German standard DIN15433, while those of YPZ₂IV, V and VI conform to the German standard DIN15433 and JB/T7020-2006.
- They are equipped with Ed series thrusters which comply with DIN15430 standard.

型号意义 Model Significance

YPZ₂ - □ / □ / □ / □ / □

- 制动器附加功能代号（可用文字说明，当左式时不标，右式时标注）
Additional function code of brake
(It can be explained in words, not marked when the left type, marked when the right type)
- 推动器附加装置代号（Additional device code of thruster）
- 推动器推力代号 Thruster thrust code
- 推动器代号：“E”为Ed普通型，“B”为隔爆型
Thruster: “E” is Ed common type, “B” is flameproof type.
- 制动器中心高及结构代号：I、II、III、IV、V、VI
Brake center height and structure code: I, II, III, IV, V, VI
- 制动盘直径（mm） Brake disc diameter (mm)
- 制动器型号 Brake type

订货示例 Order Example

- YPZ₂-630×30II/E121-L-MSK1
- 例：如盘直径为630mm，盘厚30mm，中心高280mm，带磨损自动补偿装置，开闸显示行程开关，手动装置，右式，推动器Ed121/6，其订货标记为：YPZ₂-630II/E121S-MK1S（右）。
Example: disc diameter is 630mm, the disc thickness is 30mm, the center high 280mm, with automatic wear compensation device, gate opening display limit switch, manual installation, the right type, driver Ed 121/6, marked as: YPZ₂-630II/E121S-MK1S(right).



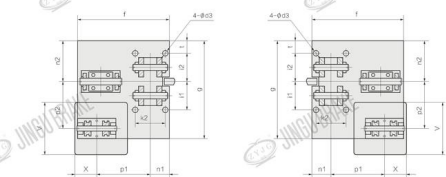
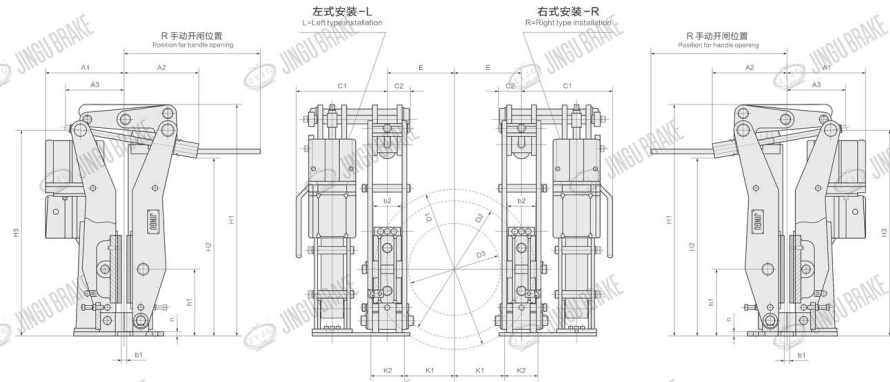
YPZ₂I、II、III系列 Series



YPZ₂IV、V、VI系列 Series

YPZ₂ I, II, III系列电力液压臂盘式制动器 YPZ₂ I, II, III SERIES ELECTRO-HYDRAULIC DISC BRAKES

安装及外形尺寸 Outline And Installation Dimension



制动器附加功能表 BRAKE ADDITIONAL MENU

附加功能代号 Function code	表示意义 Significance of
M	衬垫磨损补偿装置 Cushioning wear compensation device
K1	开闸限位行程开关 Gate opening limit switch limit switch
K2	闭闸限位行程开关 Closed-gate limit limit switch
K3	衬垫磨损极限限位开关 Pad wear limit limit switch
S	手动装置 Manual installation

YPZ₂ I系列臂盘式制动器尺寸和技术参数 DIMENSIONS AND TECHNICAL DATA OF YPZ₂ I SERIES DISC BRAKES

表一

制动器型号 Thruster type	安装及外形尺寸 Dimensions (mm)																									
	t	H1	H2	H3	b2	d3	f	g	h1	i1	i2	k2	A2	A3	n1	n2	p1	P2	q	n	C2	R	A1	C1	X	V
Ed23/5	20	710	515	630	70	18	310	300	230	180	80	120	230	235	80	100	175	160	20	15	75	460	280	297	80	200
Ed30/5																							277			197
Ed50/6																							317			297
Ed80/6	20	710	515	630	70	18	310	300	230	180	80	120	230	235	80	100	175	160	20	15	75	460	317	297	97	254

制动器型号 Thruster type	功率 Power (W)	额定电流 Rated current (A)	制动盘直径 Disc diameter D1 (mm)					制动器重量 Weight (kg)
			315	355	400	450	500	
Ed23/5	165	0.52	270	320	—	—	—	89
Ed30/5	200	0.46	380	440	520	—	—	95
Ed50/6	210	0.48	645	670	790	910	1000	102
Ed80/6	330	1.42	1030	1150	1350	1560	1750	104

YPZ₂ II系列臂盘式制动器尺寸和技术参数 DIMENSIONS AND TECHNICAL DATA OF YPZ₂ II SERIES DISC BRAKES

表二

制动器型号 Thruster type	安装及外形尺寸 Dimensions (mm)																									
	t	H1	H2	H3	b2	d3	f	g	h1	i1	i2	k2	A2	A3	n1	n2	p1	P2	q	n	C2	R	A1	C1	X	V
Ed50/6	35	985	740	870	120	22	375	375	280	130	130	140	275	270	94	165	220	154	24	15	110	730	311	360	97	254
Ed80/6																							360			179
Ed121/6																							367			120
Ed201/6	35	985	740	870	120	22	375	375	280	130	130	140	275	270	94	165	220	154	24	15	110	730	302	367	120	260

制动器型号 Thruster type	功率 Power (W)	额定电流 Rated current (A)	制动盘直径 Disc diameter D1 (mm)					制动器重量 Weight (kg)
			450	500	560	630	710	
Ed50/6	210	0.48	1025	1175	1350	—	—	178
Ed80/6	330	1.42	1720	1965	2260	2605	—	179
Ed121/6	330	1.44	2700	3085	3550	4090	4665	194
Ed201/6	450	1.45	4195	4790	5510	6350	7130	194

YPZ₂ III系列臂盘式制动器尺寸和技术参数 DIMENSIONS AND TECHNICAL DATA OF YPZ₂ III SERIES DISC BRAKES

表三

制动器型号 Thruster type	安装及外形尺寸 Dimensions (mm)																									
	t	H1	H2	H3	b2	d3	f	g	h1	i1	i2	k2	A2	A3	n1	n2	p1	P2	q	n	C2	R	A1	C1	X	V
Ed121/6	35	1170	910	1045	120	27	415	460	370	180	180	160	305	310	110	215	225	206	30	20	120	735	354	394	120	260
Ed201/6																										
Ed301/6																										

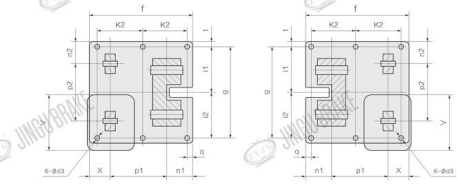
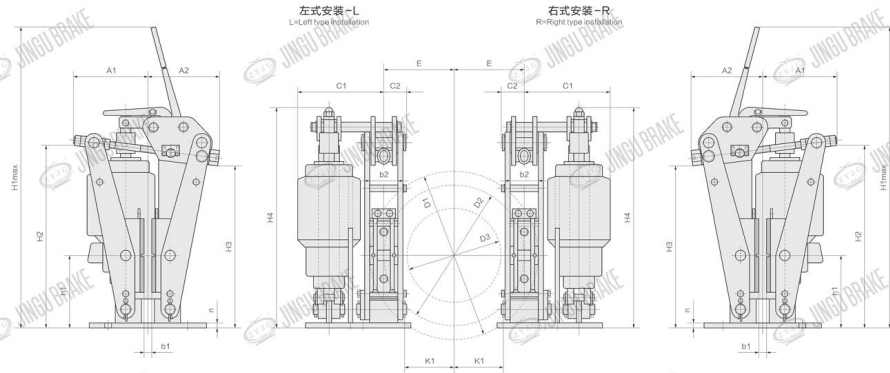
制动器型号 Thruster type	功率 Power (W)	额定电流 Rated current (A)	制动盘直径 Disc diameter D1 (mm)						制动器重量 Weight (kg)
			630	710	800	900	1000	1250	
Ed121/6	330	1.44	3750	4500	5000	5600	—	294	
Ed201/6	450	1.45	6305	7315	8450	9710	10970	—	
Ed301/6	550	1.46	9170	10640	12290	14120	15960	20540	

*注: D2-理论摩擦直径; D3-允许最大的联轴器外径; S-每副瓦块宽度。

*注: 具体型号 结构及外形尺寸保留更改的权利。 Note: The size of the specific type and structure should be retained.

YPZ₂ IV, V, VI 系列电力液压臂盘式制动器
YPZ₂ IV, V, VI SERIES ELECTRO-HYDRAULIC DISC BRAKES

安装及外形尺寸 Outline And Installation Dimension



制动器附加功能表 BRAKE ADDITIONAL MENU

附加功能代号 Function code	表示意义 Significance of
M	衬垫磨损补偿装置 Cushioning wear compensation device
K1	开闸限位行程开关 Gate opening limit switch limit switch
K2	闭闸限位行程开关 Closed-gate limit limit switch
K3	衬垫磨损极限限位开关 Pad wear limit limit switch
S	手动装置 Manual installation

YPZ₂ IV 系列臂盘式制动器尺寸和技术参数 DIMENSIONS AND TECHNICAL DATA OF YPZ₂ IV SERIES DISC BRAKES

表四

推动器型号 Thrustor type	安装及外形尺寸 Dimensions (mm)																									
	H1	H2	H3	H4	b2	d3	f	g	h1	i1	i2	k2	A1	A2	n1	n2	p1	p2	V	q	n	C2	C1	X	t	
Ed23/5	612	400	340	500	56	14	230	270	160	80	150	100	208	198	52	40	133	130	200	197	14	15	60	215	80	20
Ed30/5																										
与制动盘有关的尺寸 Relative dimensions of brake disc																	技术参数 Technical data									
制动盘直径 D1 Disc diameter	b1	D2	D3	E	K1	S	配备推动器 Thrustor			制动盘直径 Disc diameter D1 (mm)						整机重量 Weight (kg)										
							推动器型号 Thrustor type	功率 Power (W)	额定电流 Rated current (A)	250	280	315	355	400	450		500									
250							最大制动力矩 Max. brake torque (Nm) μ=0.36						0.9±0.2													
280																										
315																										
355																										
400																										
450																										
500																										

*注: D2-理论摩擦直径; D3-允许最大的联轴器外径; S-每侧瓦块退距。
Note: D2-Theoretical friction diameter, D3-Max. allowable coupling or hub diameter, S-Brake clearance.

YPZ₂ V 系列臂盘式制动器尺寸和技术参数 DIMENSIONS AND TECHNICAL DATA OF YPZ₂ V SERIES DISC BRAKES

表五

推动器型号 Thrustor type	安装及外形尺寸 Dimensions (mm)																									
	H1	H2	H3	H4	b2	d3	f	g	h1	i1	i2	k2	A1	A2	n1	n2	p1	p2	V	q	n	C2	C1	X	t	
Ed50/6	1100	537	474	645	75	18	330	360	230	145	145	130	275	228	90	110	165	177	254	25	18	80	260	95	35	
Ed80/6																										
与制动盘有关的尺寸 Relative dimensions of brake disc																	技术参数 Technical data									
制动盘直径 D1 Disc diameter	b1	D2	D3	E	K1	S	配备推动器 Thrustor			制动盘直径 Disc diameter D1 (mm)						整机重量 Weight (kg)										
							推动器型号 Thrustor type	功率 Power (W)	额定电流 Rated current (A)	355	400	450	500	560	630											
355							最大制动力矩 Max. brake torque (Nm) μ=0.36						0.9±0.2													
400																										
450																										
500																										
560																										
630																										

*注: D2-理论摩擦直径; D3-允许最大的联轴器外径; S-每侧瓦块退距。
Note: D2-Theoretical friction diameter, D3-Max. allowable coupling or hub diameter, S-Brake clearance.

YPZ₂ VI 系列臂盘式制动器尺寸和技术参数 DIMENSIONS AND TECHNICAL DATA OF YPZ₂ VI SERIES DISC BRAKES

表六

推动器型号 Thrustor type	安装及外形尺寸 Dimensions (mm)																									
	H1	H2	H3	H4	b2	d3	f	g	h1	i1	i2	k2	A1	A2	n1	n2	p1	p2	V	q	n	C2	C1	X	t	
Ed121/6	1500	699	636	835	108	27	390	430	280	180	180	160	285	265	102	140	210	195	260	22	20	108	330	120	35	
Ed201/6																										
Ed301/6																										
与制动盘有关的尺寸 Relative dimensions of brake disc																	技术参数 Technical data									
制动盘直径 D1 Disc diameter	b1	D2	D3	E	K1	S	配备推动器 Thrustor			制动盘直径 Disc diameter D1 (mm)						整机重量 Weight (kg)										
							推动器型号 Thrustor type	功率 Power (W)	额定电流 Rated current (A)	450	500	560	630	710	800		900	1000	1100							
450							最大制动力矩 Max. brake torque (Nm) μ=0.36						0.9±0.2													
500																										
560																										
630																										
710																										
800																										
900																										
1000																										
1100																										

*注: D2-理论摩擦直径; D3-允许最大的联轴器外径; S-每侧瓦块退距。
Note: D2-Theoretical friction diameter, D3-Max. allowable coupling or hub diameter, S-Brake clearance.

QP/CQP系列气动钳盘式制动器

QP/CQP SERIES PNEUMATIC DISC BRAKES

应用 Application

- QP/CQP系列气动钳盘式制动器，广泛用于起重、运输、冶金、矿山、港口、码头、建筑等机械中各种机构的停车制动和减速制动。

APPLICATION

QP/CQP series pneumatic caliper disc brakes are widely used for parking braking and deceleration braking of various mechanisms in hoisting, transportation, metallurgy, mining, port, wharf, construction and other machinery.

使用条件 Operating Condition

- 环境温度：-5℃ ~ +40℃
- 工作压力：QP系列为5-7bar，CQP系列为≤7bar。
- 户外雨雪侵蚀或有腐蚀性气体和介质，应采用防腐型产品。
- 气源不应有油、水及其它杂质。

OPERATING CONDITION

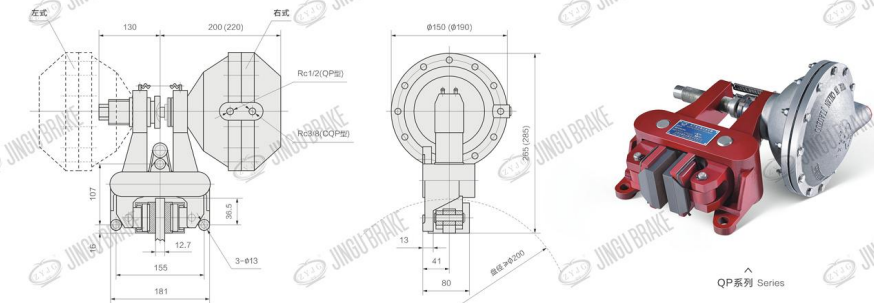
- Ambient temperature: -5℃ ~ +40℃
- Working pressure: QP series is 5-7bar, CQP series is ≤7bar
- Outdoor rain and snow erosion or corrosive gases and media should use anti-corrosion products.
- The air source should be free of oil, water and other impurities.

型号意义 Model Significance



- 例: 选用QP12.7型, A型气包, 弹簧为六根, 气包左式安装, 可写为QP12.7-A-6左。选用QP12.7A型, B型气包, 带机械式松闸显示, 气包右式安装, 可写为QP12.7-A-B-E1右。For example, QP12.7 and A-type air bags are selected. There are six springs. The air bag is installed left, which can be written as QP12.7-A-6 left. QP12.7A and type B air bags are selected, with mechanical brake release display. The air bag is installed on the right, which can be written as QP12.7-A-B-E1 right.

安装及外形尺寸 Outline And Installation Dimension



注: 括号内为QP(CQP)12.7-A的尺寸。
Note: the dimensions in brackets are QP(CQP)12.7-A.

QP12.7型气动盘式制动器技术参数 TECHNICAL DATA OF QP12.7 TYPE PNEUMATIC DISC BRAKES

制动器型号 Brake type	额定制动力(N) (八根弹簧) Rated braking force (N) (Eight springs)	制动盘有效半径(m) Effective radius of brake disc	额定制动扭矩(Nm) Rated braking torque	工作气体容量 (cm ³) Working gas capacity	总气体容量 (cm ³) Total gas capacity	重量 Weight (kg)
QP12.7-A	6400	制动盘半径-0.03 Brake disc radius -0.03	额定制动力×有效半径 Rated power X Effective radius	273	553	24
QP12.7-B	4800	制动盘半径-0.03 Brake disc radius -0.03	额定制动力×有效半径 Rated power X Effective radius	140	293	20

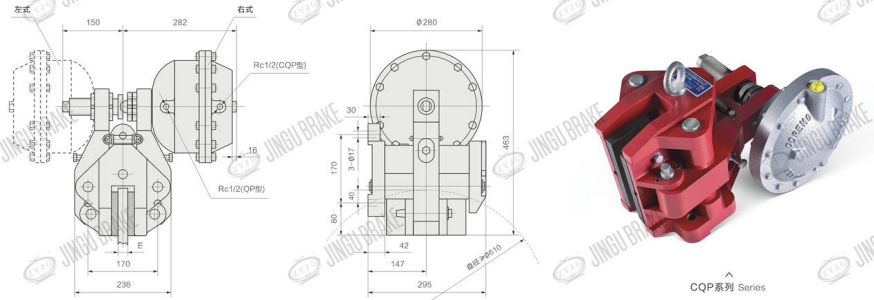
注: 具体型号, 结构及外形尺寸保留更改的权利。 Note: The size of the specific type and structure should be retained.

CQP12.7型气动盘式制动器技术参数 TECHNICAL DATA OF CQP12.7 TYPE PNEUMATIC DISC BRAKES

制动器型号 Brake type	额定制动力(N) (八根弹簧) Rated braking force (N) (Eight springs)	制动盘有效半径(m) Effective radius of brake disc	额定制动扭矩(Nm) Rated braking torque	工作气体容量 (cm ³) Working gas capacity	总气体容量 (cm ³) Total gas capacity	重量 Weight (kg)
CQP12.7-A	1788×工作压力	制动盘半径-0.03 Brake disc radius -0.03	额定制动力×有效半径 Rated power X Effective radius	273	553	23
CQP12.7-B	1055×工作压力	制动盘半径-0.03 Brake disc radius -0.03	额定制动力×有效半径 Rated power X Effective radius	140	293	19

- 注: d2-最大连接外径。 Notes: Max. coupling hub diameter.
- 制动力矩计算方法: $M = F \times [\text{制动盘半径}] (m) - 0.03] Nm$ Dynamic torque calculating: $M = F \times [\text{disc radius} (m) - 0.03] Nm$
- 提示: 表中所列制动力和制动力矩, 对于新制动衬垫, 只有在衬垫与制动盘良好磨合(贴合面积达30%以上)后方可达到。 Warning: As for new braking lining, the braking force and torque listed in this above table can be reached only after the lining well grinding on brake disc (stick area is over 30%).

安装及外形尺寸 Outline And Installation Dimension



注：气包带自动补偿机构，制动衬垫磨损后无需人工调整，方便省时。
 Note: The air bag is equipped with automatic compensation mechanism, and there is no need for manual adjustment after the brake pad is worn, which is convenient and time-saving.

QP30(25.4)型气动盘式制动器技术参数 TECHNICAL DATA OF QP30(25.4) TYPE PNEUMATIC DISC BRAKES

制动器型号 Brake type	E	额定制动力(N) (12根弹簧) Rated braking force(N) (12 springs)	制动盘有效半径(m) Effective radius of brake disc	额定制动力矩(Nm) Rated braking torque	工作气体容量(cm³) Working gas capacity	总气体容量(cm³) Total gas capacity	重量 Weight(kg)
QP30-D	30	32800	制动盘半径-0.065 Brake disc radius-0.065	额定制动力×有效半径 Rated power×Effective radius	1400	3000	70
QP25.4-D	25.4						

注：具体型号、结构及外形尺寸保留更改的权利。 Note: The size of the specific type and structure should be retained.

CQP30(25.4)型气动盘式制动器技术参数 TECHNICAL DATA OF CQP30(25.4) TYPE PNEUMATIC DISC BRAKES

制动器型号 Brake type	E	额定制动力(N) (12根弹簧) Rated braking force(N) (12 springs)	制动盘有效半径(m) Effective radius of brake disc	额定制动力矩(Nm) Rated braking torque	工作气体容量(cm³) Working gas capacity	总气体容量(cm³) Total gas capacity	重量 Weight(kg)
CQP30-D	30	6097×工作气压	制动盘半径-0.065 Brake disc radius-0.065	额定制动力×有效半径 Rated power×Effective radius	1400	3000	68
CQP25.4-D	25.4						

注：d2-最大连接孔径。 Notes: Max. coupling hub diameter.
 制动力矩计算方法: $M = F \times [\text{制动盘半径}] (m) \times 0.065 \text{ Nm}$ Dynamic torque calculating: $M = F \times [\text{disc radius} (m)] \times 0.065 \text{ Nm}$

显示：表中所列制动力和制动力矩，对于新制动衬垫，只有在衬垫与制动盘良好磨合（贴合面积达30%以上）后方可达到。
 Warning: As for new braking lining, the braking force and torque listed in this above table can be reached only after the lining well grinding on brake disc (sticking area is over 30%).

SB SBD系列安全制动器

SB SBD SERIES SAFETY BRAKES

应用 Application

SB、SBD系列液压安全（紧急）制动器，是一种使用在低速轴（卷筒轴）上的大功率制动装置，可广泛用于大中型起重机、港口装卸机械起升以及臂架俯仰机构低速轴的紧急安全制动，矿用卷扬机、提升机和大功率倾角式皮带运输机的工作制动和紧急安全制动，缆车和索道起重机驱动机构的安全制动，铸造起重机等特种起重机起升机构低速轴的安全（紧急）制动。

APPLICATION

Hydraulic safety (emergency) brakes are high-power braking devices which can be widely used as emergency safety brake on low speed shafts for the lifting control and pitching mechanism of various large and middle crane, port handling machinery. They are also applied for the same purpose for mine winder, lifter, elevators, belt Conveying machinery, cable cars, foundry and cable cranes and so on.

主要特点 Main Feature

- 常闭式设计，安全可靠；特制碟簧施力制动，液压驱动释放。（液压站选型详见液压站样本）。
- 动作灵敏，闭合（上闸）时间短。
- 可选配开闸限位开关和衬垫磨损极限限位开关，可进行联锁保护和故障显示。
- 高性能的无石棉硬质摩擦衬垫，摩擦系数稳定，不损伤制动盘且对水介质和盐雾（海水）的不敏感。
- 合理的密封结构设计和进口铭密封件，效果好，寿命长。
- 安装位置灵活，使用、调整、维护简单。

MAIN FEATURE

- Normally closed design, safe and reliable; specially-designed disc springs applied, hydraulic driving. Type selection of hydraulic power unit see "Manual for hydraulic power unit".
- Swift actions and short braking time.
- Be able to optionally equip with release limit and pad wear limit switch, which can realize signal indication and interlocking protection.
- Brake lining is made from non-asbestos hard material, which has high and stable friction performance, and it is insensitive to water, salt and other environmental agents. Excellent sealing ensure the brake long service life.
- Installing position is flexible, operation, adjustment and maintenance are easy.

符合标准 Standards Compliant

- 安全制动器技术要求符合JB/T10917-2008标准。

STANDARDS COMPLIANT

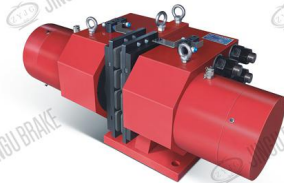
- The technology requirements of safety brakes comply with JB/T10917-2008 standard.

使用条件 Operating Condition

- 环境温度：-20℃~+40℃
- 相对湿度：空气相对湿度不大于90%
- 可选配液压站（液压站选型详见液压站样本）
- 有特殊要求时，在订货时协商确定。

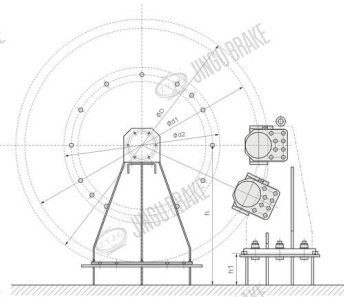
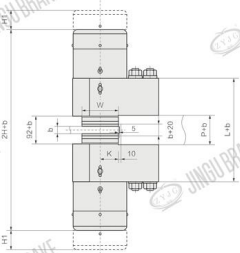
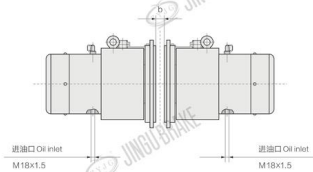
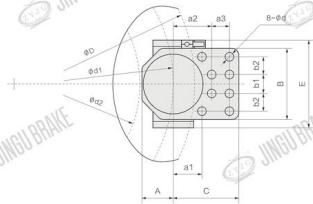
OPERATING CONDITION

- Ambient temperature: -20℃~+40℃
- Relative humidity: Air relative humidity is not more than 90%
- Hydraulic power unit can be selected. Type selection of hydraulic power unit see "Manual for hydraulic power unit"
- Special requirements can be discussed before production.



SB系列 Series

安装及外形尺寸 Outline And Installation Dimension



安装方式 Installation
h, h1 由用户确定
h, h1 Determined by the user

型号意义 Model Significance



订货示例 Order Example

• SB250-2200×40 RL 表示额定夹紧力为250KN，制动盘直径为2200mm，盘厚为40mm，带开闸限位开关。

ORDER EXAMPLE

• SB250-2200×40 RL. Rated clamping force is 250KN, braking disc diameter is 2200mm, disc thickness is 40mm, with release limit switch.

SB 系列安全制动器技术参数 TECHNICAL DATA OF SB SERIES SAFETY BRAKES

表一

制动器型号 Brake Type	夹紧力 F Clamp force (kN)	释放压力 Release pressure (bar)	开闸油量 Release oil volume (ml)	退距 Clearance (mm)	摩擦系数 μ Friction coefficient	安装螺栓/性能等级/安装扭矩 Requested bolts, performance class, installation torque	不含支架重量 Weight bracket excluded (kg)
SB50	50	110	30	1-2	0.36	8-M20, 10.9, 680	90
SB100	100	120	50	1-2	0.36	8-M24, 10.9, 1200	150
SB160	160	120	70	1-2	0.36	8-M30, 10.9, 2200	310
SB250	250	130	95	1-2	0.36	8-M36, 10.9, 3540	452
SB315	315	140	115	1-2	0.36	8-M36, 10.9, 3540	672
SB400	400	120	170	1-2	0.36	8-M48, 10.9, 7400	1100
SB500	500	140	170	1-2	0.36	8-M48, 10.9, 7400	1200

制动力矩 Brake torque $Nm = F \times \mu \times d1$ Torque in $Nm = F \times \mu \times d1$

外形尺寸表 OUTLINE DIMENSION TABLE

表二

制动器型号 Brake Type	安装及外形尺寸 Dimensions (mm)															
	A	a1	a2	a3	b1	b2	B	C	d	k	P	L	E	W	H	H1
SB50	77	77	90	38	38	38	154	150	20.5	56	102	300	240	110	310	80
SB100	95	95	105	45	55	45	190	180	25	71	102	348	286	140	360	85
SB160	110	120	135	65	70	65	260	235	31	87	106	412	370	170	410	95
SB250	130	120	160	75	80	75	300	275	37	87	106	456	370	170	470	110
SB315	140	175	205	85	90	82.5	335	330	37	137	106	476	410	270	500	110
SB400	170	180	220	120	110	110	440	420	50	137	142	602	546	270	560	115
SB500	170	180	220	120	110	110	440	420	50	137	142	682	542	270	600	115

与制动盘有关的尺寸 RELATIVE DIMENSIONS OF BRAKE DISC

表三

制动器型号 Brake Type	安装及外形尺寸 Dimensions (mm)					
	b	D	d1	d2 max		
SB50	30	36	40	≥500	D-120	D-300
SB100	30	36	40	≥500	D-150	D-380
SB160	30	36	40	≥600	D-180	D-440
SB250	30	36	40	≥600	D-180	D-480
SB315	30	36	40	≥1200	D-280	D-600
SB400	30	36	40	≥1800	D-280	D-660
SB500	30	36	40	≥1800	D-280	D-660

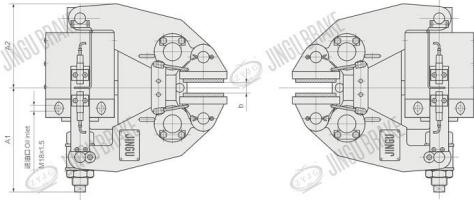
• d1-理论摩擦直径
d1-theoretical friction diameter.
• d2-允许最大的卷筒或联轴器外径
d2-max. allowable drum or hub diameter.
• D: 如为其它直径, 请与我们联系。
For other disc diameters please contact us.

• 注: 具体型号, 结构外形尺寸保留更改的权利。
Note: The size of the specific type and structure should be retained.

SBD-A系列安全制动器

SBD-A SERIES SAFETY BRAKES

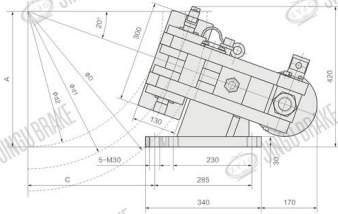
安装及外形尺寸 Outline And Installation Dimension



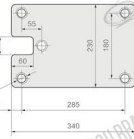
安装型式 Version: II型

安装型式 Version: I型

注: 括号内的尺寸用于SBD315-A
Note: Dimensions in bracket are used in SBD315-A



底板连接尺寸
Base plate connection dimensions



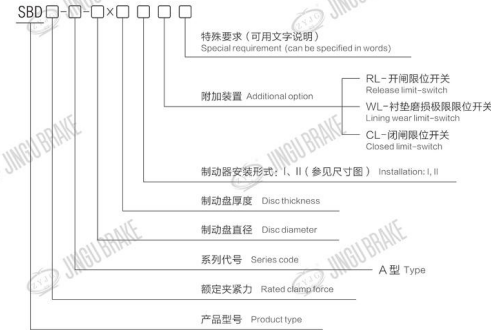
安装示意图 Installation Diagram

- 制动力矩: $M = \mu \times d1 \times F$ (Nm)
- 式中: μ - 摩擦系数计算取值 $\mu = 0.35$
 $d1$ - 制动盘计算摩擦直径, $d1 = D - 135$ (mm),
 或 $D - 155$ (mm) (后者针对 SBD315-A)
 F - 制动时总夹紧力 (KN)
- 注: 1) 制动盘直径用于 $\phi 800 \leq \phi D \leq \phi 1800$ (mm)
 2) $d2$ - 允许的最大卷筒或联接轮外径, $d2 = D - 270$ (mm)

INSTALLATION DIAGRAM

- Braking torque: $M = \mu \times d1 \times F$ (Nm)
- In it: μ - the value of friction coefficient $\mu = 0.35$
 $d1$ - disc friction diameter $d1 = D - 135$ (mm)
 or $D - 155$ (mm) (the latter is specially used in SBD315-A)
 F - total clamp force (KN)
- Notes: 1) D - Brake disc diameter for $\phi 800 \leq \phi D \leq \phi 1800$ (mm)
 2) $d2$ - max. allowable drum or hub diameter $d2 = D - 270$ (mm)

型号意义 Model Significance



SBD-A系列

订货示例 Order Example

SBD250-A-1600×30 I RL 表示额定夹紧力为250KN, 带开闸限位开关, I型安装的A型安全制动器, 制动盘直径为1600mm, 盘厚为30mm.

ORDER EXAMPLE

SBD250-A-1600×30 I RL means its rated clamping force is 250KN with release limit switch and I-A-type safety brake of I version installation. The brake disc diameter is 1600mm and the disc thickness is 30mm.

SBD-A系列安全制动器技术参数及安装尺寸 TECHNICAL DATA AND DIMENSIONS OF SBD-A SERIES SAFETY BRAKES

制动器型号 Brake type	总夹紧力 Total clamp force (KN)	制动力 Braking force (KN)	油缸工作压力 Cylinder pressure (bar)	开闸油量 Oil volume (ml)	开闸间隙 Released clearance (mm)	安装及外形尺寸 Dimensions (mm)						重量 Weight (kg)		
						A	C	d1	d2 max	D	A1		A2	b
SBD100-A	100	72	80	90	0.75-1.5						295	220		195
SBD125-A	125	90	90	90	0.75-1.5						315	220	30 (25)	195
SBD160-A	160	115	110	75	0.75-1.25	0.1710D+220	0.470D-127	$\phi D - 135$	$\phi D - 270$	$\phi 800 \leq \phi D \leq \phi 1800$	315	235	30 (36)	235
SBD200-A	200	144	100	120	0.75-1.5						315	235		235
SBD250-A	250	180	120	300	0.75-1.25						350	258		235
SBD315-A	315	220	110	160	0.75-1.25	0.1710D+238		$\phi D - 155$	$\phi D - 310$		355	260	30(25)	280

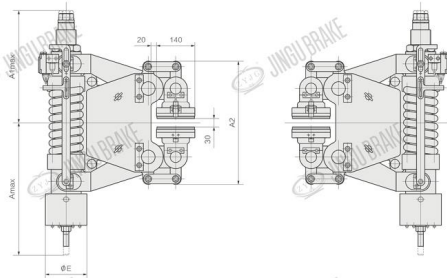
注: SBD-A系列安全制动器为原型SBD系列安全制动器。 Note: The original types of SBD-A series safety brakes are SBD.

具体型号, 结构及外形尺寸保留更改的权利。 The size of the specific type and structure should be retained.

SBD-B系列安全制动器

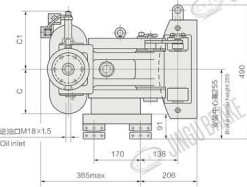
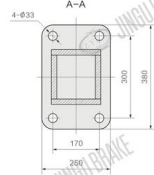
SBD-B SERIES SAFETY BRAKES

安装及外形尺寸 Outline And Installation Dimension



安装型式 Version: II 型

安装型式 Version: I 型



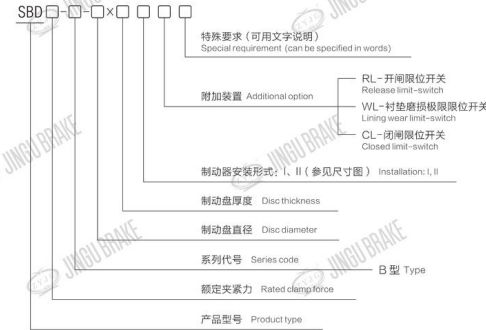
安装示意图 Installation Diagram

- 制动力矩: $M = \mu \times d1 \times F$ (Nm)
- 式中: μ - 摩擦系数计算取值 $\mu = 0.35$
 $d1$ - 制动盘计算摩擦直径, $d1 = D - 150$ (mm)
 F - 制动时总夹紧力 (KN)
- 注: 1) 制动盘直径 $D \geq \phi 800$ (mm)
 2) $d2$ - 允许的最大卷筒或联接轴外径, $d2 = D - 360$ (mm)

INSTALLATION DIAGRAM

- Braking torque: $M = \mu \times d1 \times F$ (Nm)
- in it: μ - the value of friction coefficient $\mu = 0.35$
 $d1$ - disc friction diameter $d1 = D - 150$ (mm)
 F - total clamp force (KN)
- Notes: 1) D - Brake disc diameter for $D \geq \phi 800$ (mm)
 2) $d2$ - max. allowable drum or hub diameter $d2 = D - 360$ (mm)

型号意义 Model Significance



SBD-B系列 Series

订货示例 Order Example

1) SBD80-B-1250×30 | RL 表示额定夹紧力为80KN, 带开闸限位开关, I型安装的B型安全制动器, 制动盘直径为1250mm, 盘厚为30mm。

ORDER EXAMPLE

• SBD80-B-1250×30 | RL means its rated clamping force is 80KN with release limit switch and I-type safety brake of I version installation. The brake disc diameter is 1250mm and the disc thickness is 30mm.

SBD-B系列安全制动器技术参数及安装尺寸 TECHNICAL DATA AND DIMENSIONS OF SBD-B SERIES SAFETY BRAKES

制动器型号 Brake type	额定夹紧力 Rated clamp force (KN)	制动力 Braking force (KN)	油缸工作压力 Cylinder pressure (bar)	开闸油量 Oil volume (ml)	开闸间隙 Released clearance (mm)	安装及外形尺寸 Dimensions (mm)						重量 Weight (kg)	
						A max	A1 max	A2	C	C1	ØE		D
SBD80-B	80	57	95	55	1-2	470	390	450	115	150	120	≥Ø800	270
SBD160-B	160	115	95	115	1-2	485	415	460	165	215	155	≥Ø800	310

• 1) SBD-B系列安全制动器为原型号SBB系列安全制动器。
 Note: The original types of SBD-B series safety brakes are SBB.

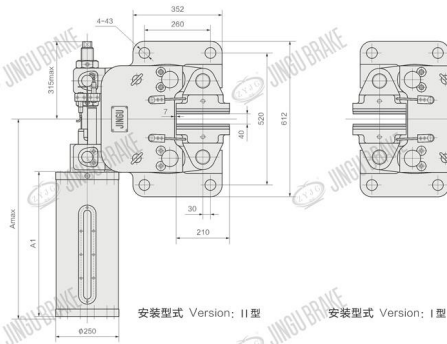
• 2) 摩擦系数: 静态0.4, 动态0.35。
 Friction coefficient: Static 0.4, dynamic 0.35.

• 注: 具体型号, 结构外形尺寸保留更改的权利。
 Note: The size of the specific type and structure should be retained.

SBD-C系列安全制动器

SBD-C SERIES SAFETY BRAKES

安装及外形尺寸 Outline And Installation Dimension



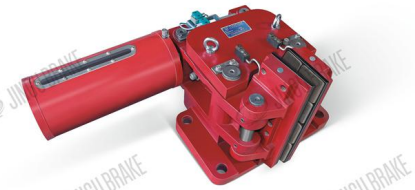
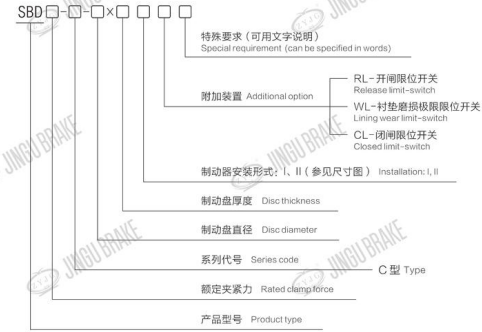
安装示意图 Installation Diagram

- 制动力矩: $M = \mu \times d1 \times F$ (Nm)
- 式中: μ - 摩擦系数计算取值 $\mu = 0.35$
 $d1$ - 制动盘计算摩擦直径, $d1 = D - 220$ (mm)
 F - 制动时总夹紧力 (KN)
- 注: 1) 制动盘直径 $D \geq \phi 1800$ (mm)
 2) $d2$ - 允许的最大卷筒或联接轴外径, $d2 = D - 500$ (mm)

INSTALLATION DIAGRAM

- Braking torque: $M = \mu \times d1 \times F$ (Nm)
- in it: μ - the value of friction coefficient $\mu = 0.35$
 $d1$ - disc friction diameter $d1 = D - 220$ (mm)
 F - total clamp force (KN)
- Notes: 1) D - Brake disc diameter for $D \geq \phi 1800$ (mm)
 2) $d2$ - max. allowable drum or hub diameter $d2 = D - 500$ (mm)

型号意义 Model Significance



SBD-C系列 Series

订货示例 Order Example

• SBD365-C-2200×40 RL 表示额定夹紧力为365kN, 带开闸限位开关, I型安装的C型安全制动器, 制动盘直径为2200mm, 盘厚为40mm。

ORDER EXAMPLE

• SBD365-C-2200×40 RL means its rated clamping force is 365kN with release limit switch and C-type safety brake of I version installation. The brake disc diameter is 2200mm and the disc thickness is 40mm.

SBD-C 系列安全制动器技术参数及安装尺寸 TECHNICAL DATA AND DIMENSIONS OF SBD-C SERIES SAFETY BRAKES

制动器型号 Brake type	额定夹紧力 Rated clamp force (kN)	制动力 Braking force (kN)	油缸工作压力 Cylinder pressure (bar)	开闸油量 Oil volume (ml)	开闸间隙 Released clearance (mm)	安装及外形尺寸 Dimensions (mm)			重量 Weight (kg)
						A max	A1	D	
SBD250-C	250	180	80	275	1-2	595	378	≥φ1800	660
SBD365-C	365	262	80	275	1-2	790	570	≥φ1800	720
SBD425-C	425	306	95	275	1-2	790	570	≥φ1800	730

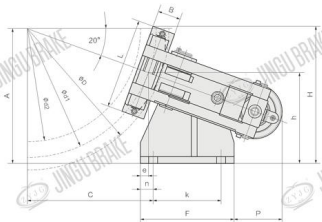
- 1) SBD-C系列安全制动器为原型号SBB系列安全制动器。
 1) The original types of SBD-C series safety brakes are SBB.
- 2) 摩擦系数: 静态0.4, 动态0.35。
 2) Friction coefficient: Static 0.4, dynamic 0.35.

• 注: 具体型号, 结构外形尺寸保留更改的权利。
 Note: The size of the specific type and structure should be retained.

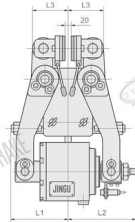
SBD-D系列安全制动器

SBD-D SERIES SAFETY BRAKES

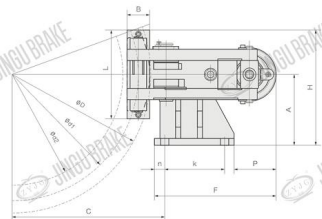
安装及外形尺寸 Outline And Installation Dimension



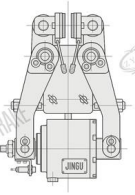
型号 Type: SBD80-D, SBD120-D, SBD240-D



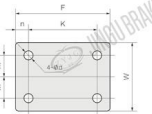
安装型式 Version: II 型



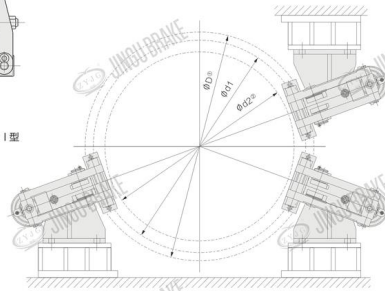
型号 Type: SBD50-D, SBD100-D



安装型式 Version: I 型



底板连接尺寸
Base plate connection dimensions



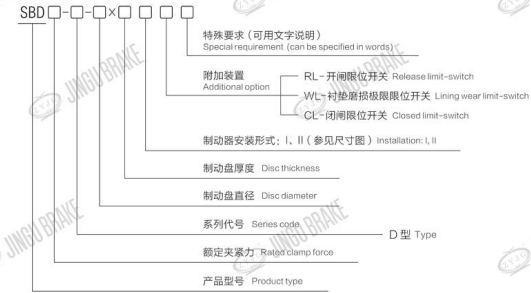
安装示意图 Installation Diagram

- 制动力矩: $M = \mu \times d1 \times F$ (Nm)
- 式中: μ - 摩擦系数计算取值 $\mu = 0.35$
d1 - 制动盘计算摩擦直径 (mm)
F - 制动时总夹紧力 (KN)
- 注: 1) 制动盘直径 $D \geq \phi 600$ (mm)
2) d2 - 允许的最大卷筒或联接毂外径 (mm)

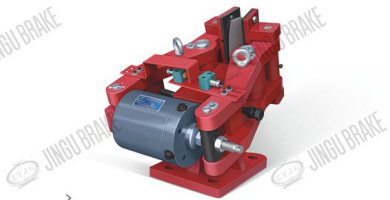
INSTALLATION DIAGRAM

- Braking torque: $M = \mu \times d1 \times F$ (Nm)
- In it: μ - the value of friction coefficient $\mu = 0.35$
d1 - disc friction diameter (mm)
F - total clamp force (KN)
- Notes: 1) D - Brake disc diameter for $D \geq \phi 600$ (mm)
2) d2 - max. Allowable drum or hub diameter (mm)

型号意义 Model Significance



SBD50-D, 100-D



SBD80-D, 120-D, 240-D

订货示例 Order Example

- SBD240-D-900*20 I RL 表示额定夹紧力为240KN, 带开闸限位开关, I型安装的D型安全制动器, 制动盘直径为900mm, 盘厚为20mm。

SBD-D 系列安全制动器技术参数 TECHNICAL DATA OF SBD-D SERIES SAFETY BRAKES

表一

制动器型号 Brake type	额定夹紧力 Rated clamp force (KN)	制动力 Braking force (KN)	抽缸工作压力 Oil pressure (bar)	开闸油量 Oil volume (ml)	开闸间隙 Released clearance (mm)	重量 Weight (kg)	安装及外形尺寸 Dimensions (mm)		
							A	C	D
SBD50-D	50	36	50	150	0.75~1.5	92	170	D/2+35	$\geq \phi 600$
SBD80-D	80	57	80	125	0.75~1.5	185	$\text{Sin}20^\circ(D/2-45)+320.5$	$\text{Cos}20^\circ(D/2-45)+16.5$	$\geq \phi 600$
SBD100-D	100	72	80	150	0.75~1.5	180	200	D/2+55	$\geq \phi 600$
SBD120-D	120	86	85	160	0.75~1.5	193	$\text{Sin}20^\circ(D/2-48)+320.5$	$\text{Cos}20^\circ(D/2-45)+16.5$	$\geq \phi 600$
SBD240-D	240	172	100	170	0.75~1.5	310	$\text{Sin}20^\circ(D/2-45)+345$	$\text{Cos}20^\circ(D/2-75)+20$	$\geq \phi 600$

SBD-D 系列安全制动器安装尺寸 DIMENSIONS OF SBD-D SERIES SAFETY BRAKES

表二

制动器型号 Brake type	安装及外形尺寸 Dimensions (mm)																
	d1	d2max	B	L	n	k	F	P	H	m	w	L1	L2	L3	d	h	e
SBD50-D	$\phi 90$	$\phi 180$	80	278	25	130	180	140	309	80	220	190	220	115	$\phi 26$	-	-
SBD80-D	$\phi 90$	$\phi 180$	80	320	45	240	330	170	485	75	240	190	220	115	$\phi 32$	320.5	16.5
SBD100-D	$\phi 90$	$\phi 180$	80	320	45	240	330	195	460	75	240	190	220	115	$\phi 32$	320.5	16.5
SBD120-D	$\phi 90$	$\phi 180$	80	320	45	240	330	170	485	75	240	190	220	115	$\phi 32$	320.5	16.5
SBD240-D	$\phi 150$	$\phi 300$	140	400	60	300	420	190	560	120	360	225	255	160	$\phi 38$	345	20

- 注: 具体型号, 结构外形尺寸保留更改的权利。 Note: The size of the specific type and structure should be retained.

SE系列电磁失效保护盘式制动器 SE SERIES ELECTROMAGNETIC FAILURE PROTECTION DISC BRAKES

应用 Application

- SE系列电磁失效保护盘式制动器与鼓式制动器相比，具有结构紧凑、制动力大、安装方便等优点，它主要适用于起重、运输、冶金、矿山、港口、建筑机械、电缆、吊索设备、风力发电机、纺织机械等行业的多种机械驱动配套的机械制动或减速。

APPLICATION

- Compared with drum brake, SE series electromagnetic failure protection disc brake has the advantages of compact structure, large braking force and convenient installation. It is mainly suitable for mechanical braking or deceleration of various mechanical drives in lifting, transportation, metallurgy (mining, port, construction machinery), cable, sling equipment, wind turbine, textile machinery and other industries.

主要特点 Main Feature

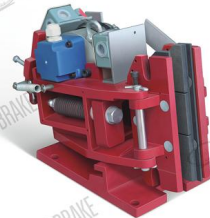
- 结构紧凑、制动力巨大、和工作制动器一样。
- 发现超速的情况下，用作紧急制动器，正常情况下静态制动器响应时间短。
- 安装公差大，制动盘端面跳动最大值： $\pm 0.2\text{mm}$ 。底座相对于盘的垂直度偏差： $\pm 4\%$ 。
- ST1SE、ST2SE仅适合用作安全制动器，当使用频率很低时也可用作工作制动器。

MAIN FEATURE

- Compact structure, large braking torque, same as working brake.
- In case of overspeed, it is used as emergency brake, and the response time of static brake is short under normal conditions.
- The installation tolerance is large, and the maximum value of end face runout of brake disc is $\pm 0.2\text{mm}$. Perpendicularity (pitch) of base relative to disc: $\pm 4\%$.
- ST1SE and ST2SE can only be used as safety brakes, and can also be used as working brakes when the frequency is very low.

附加装置 Additional Devices

- 衬垫磨损显示：通过显示开关或衬垫里的磨损线实现。
- 制动显示：通过显示开关实现。
- 手动释放显示：通过显示开关实现。
- 特殊应用
 - 用于盘温非常高时的烧结衬垫，特种衬垫，无火花等。
 - 特殊盘：厚度、直径、材料等。若有特殊需求，请与我们的技术人员联系协商订货。



SE系列 Series

使用条件 Operating Condition

- 环境温度： $-20^{\circ}\text{C} \sim +50^{\circ}\text{C}$
- 周围工作环境中不得有易燃、易爆气体。
- 相对湿度：空气相对湿度不大于90%
- 使用地点的海拔高度符合GB755-2019
- 户外需雪侵蚀或有腐蚀性气体和介质应采用防腐型产品。

OPERATING CONDITION

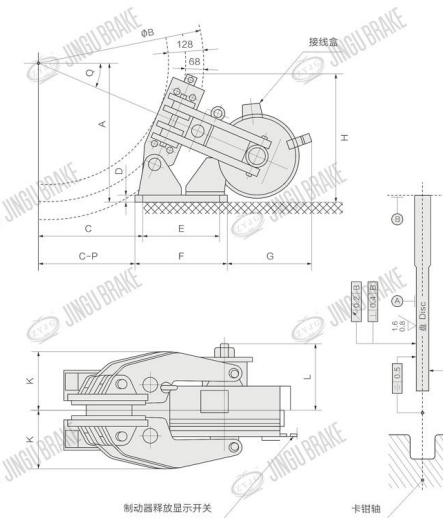
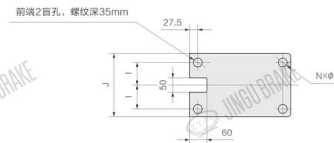
- Ambient temperature: $-20^{\circ}\text{C} \sim +50^{\circ}\text{C}$
- There shall be no inflammable or explosive gas in the surrounding working environment.
- Relative humidity: the relative humidity of the air is not more than 90%
- The altitude of the place of use conforms to GB 755-2019
- Outdoor rain and snow erosion or corrosive gases and media should use anti-corrosion products.

ADDITIONAL DEVICES

- Pad wear display: realized by displaying the wear line in the switch or pad.
- Brake display: realized by display switch.
- Manual release display: through the display switch.
- Special applications
 - Used for sintering pad, special pad, no spark, etc.
 - Special disc: thickness, diameter, material, etc. If you have any special needs, please contact our technical staff to negotiate the order.

ST1SE、ST2SE外形尺寸 ST1SE, ST2SE Dimension

弹簧制动-电力释放-适合盘厚：15或30mm
Spring brake - electric release - suitable for disc thickness: 15 or 30mm



ST1SE、ST2SE基本参数和尺寸

ΦB-单位: mm

基本参数	制动力矩公式 Nm	制动力矩=制动力/1000×(ΦB/2-68)
	两侧退距 mm	0.7
额定制动力 N	ST1SE: 35000 (安全制动) / 25000 (工作制动)	
启动功率 W	启动功率 ST1SE: 1760 ST2SE: 2830	
维持功率 W	维持功率 ST1SE: 60 ST2SE: 160	
响应时间 s	ST1SE: 0.15 ST2SE: 0.2	
重量 kg	ST1SE: 155 ST2SE: 194	
外形尺寸 mm	A	ST1SE: A=0.179×ΦB+263
	C	ST1SE: A=0.171×ΦB+279
	D	24.5
	E	285
	F	340
	G	ST1SE: 275
	H	ST2SE: 281
	I	ST1SE: 460
	J	ST2SE: 477
	K	90
	L	230
N	167	
O	210	
P	210	
Q	4	
	M30	
	27.5	
	ST1SE: 21°	
	ST2SE: 20°	

- 注：该制动器须配备专用电源，具体参阅配套电源。
Note: The brake must be equipped with special power supply, please refer to the supporting power supply for details.
- 本制动器只适合做安全制动器，不适合做工作制动器。
This brake is only suitable for safety brake, not for working brake.
- 具体型号，结构及外形尺寸保留更改的权利。
The size of the specific type and structure should be retained.

SH系列液压失效保护盘式制动器

SH SERIES HYDRAULIC FAILURE PROTECTION DISC BRAKES

应用 Application

- SH系列失效保护盘式制动器与鼓式制动器相比，具有结构紧凑、制动力大、安装方便等优点，它主要适用于起重、运输、冶金、矿山、港口、建筑机械、电缆、吊索设备、风力发电机、纺织机械等各行业的多种机械驱动配套的机械制动或减速。

APPLICATION

- Compared with drum brake, SH series electromagnetic failure protection disc brake has the advantages of compact structure, large braking force and convenient installation. It is mainly suitable for mechanical braking or deceleration of various mechanical drives in lifting, transportation, metallurgy, mining, port, construction machinery, cable, sling equipment, wind turbine, textile machinery and other industries.

主要特点 Main Feature

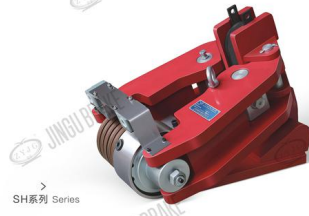
- 体积小，重量轻。无石棉制动衬垫，绿色环保，安装、更换方便快捷。
- 制动力大、维修费用低，带衬垫磨损自动补偿装置（制动力矩稳定），响应时间短。
- 安装公差大，制动盘端面跳动最大值：±0.2mm，底座相对于盘的垂直度偏差：±4‰。
- 制动盘相对于底座中心距偏差，最大值：±2.5mm。

MAIN FEATURE

- Small size and light weight. Asbestos free brake pad, green and environmental protection, convenient and fast installation and replacement.
- Large braking torque, low maintenance cost, with automatic pad wear compensation device (stable braking torque) and quick response time.
- The installation tolerance is large, and the maximum value of end face runout of brake disc is ±0.2mm. Perpendicularity deviation of base relative to disc: ±4‰.
- Center distance deviation of brake disc relative to base, maximum value: ±2.5mm.

附加装置 Additional Devices

- 衬垫磨损显示：通过显示开关或衬垫里的磨损线实现。
- 制动显示：通过显示开关实现。
- 手动释放显示：通过显示开关实现。
- 特殊应用
 - 用于盘温非常高时的缠绕衬垫，特种衬垫，无火星等。
- 特殊盘：厚度、直径、材料等。若有特殊需求，请与我们的技术人员联系协商订货。



SH系列 Series

使用条件 Operating Condition

- 环境温度：-20℃~+50℃
- 周围工作环境中不得有易燃、易爆气体。
- 相对湿度：空气相对湿度不大于90%
- 使用地点的海拔高度符合GB755-2019
- 户外雨雪侵蚀或有腐蚀性气体和介质应采用防腐型产品。

OPERATING CONDITION

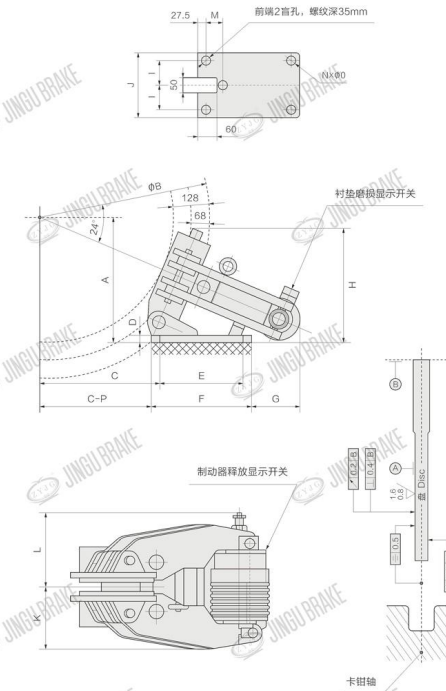
- Ambient temperature: -20°C ~ +50°C.
- There shall be no inflammable or explosive gas in the surrounding working environment.
- Relative humidity: the relative humidity of the air is not more than 90%
- The altitude of the place of use conforms to GB 755-2019
- Outdoor rain and snow/erosion or corrosive gases and media should use anti-corrosion products.

ADDITIONAL DEVICES

- Pad wear display: realized by displaying the wear line in the switch or pad.
- Brake display: realized by display switch.
- Manual release display: through the display switch.
- Special applications
 - Used for sintering pad, special pad, no spark, etc.
- Special disc: thickness, diameter, material, etc. If you have any special needs, please contact our technical staff to negotiate the order.

ST1SH、ST2SH、ST3SH外形尺寸 ST1SH, ST2SH, ST3SH Dimension

弹簧制动-液压释放-适合盘厚: 30mm
Spring brake - hydraulic release - suitable for disc thickness: 30mm



ST1SH、ST2SH、ST3SH基本参数和尺寸

基本参数 Basic Parameters

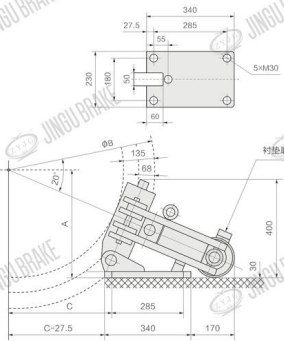
ST1SH、ST2SH、ST3SH基本参数和尺寸		ΦB-单位: mm
制动力矩公式 Nm	制动力矩=制动力/1000x(ΦB/2-68)	
响应时间 s	0.2	
两侧总宽 mm	0.7	
释放压力 bar	100	
ST1、2SH匹配液压站	YZ1-10-10	
ST3SH匹配液压站	一拖一: YZ1-10-10 一拖四: YZ2-10-20	
进油口尺寸	Z1/4	
额定制动力 KN	ST1SH: 35 (安全制动) / 25 (工作制动)	
	ST2SH: 70 (安全制动) / 50 (工作制动)	
	ST3SH: 147 (安全制动) / 105 (工作制动)	
夹紧力 KN	ST1SH: 50 (安全制动) / 35 (工作制动)	
	ST2SH: 100 (安全制动) / 72 (工作制动)	
	ST3SH: 210 (安全制动) / 150 (工作制动)	
完全释放行程容量 cm³	ST1SH: 18 ST2SH: 60 ST3SH: 135	
总油缸容积 cm³	ST1SH: 34 ST2SH: 83 ST3SH: 227	
重量 kg	ST1SH: 117 ST2SH: 117 ST3SH: 118	
A	A=0.203xΦB+211	
C	C=0.465xΦB-133	
D	25	
E	285	
F	340	
G	180	
H	410	
I	90	
J	230	
K	200	
L	213.5	
M	55	
N	5	
O	M30	
P	27.5	

*注: 具体型号, 结构及外形尺寸保留更改的权利。
Note: The size of the specific type and structure should be retained.

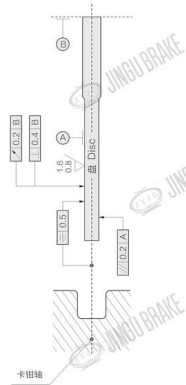
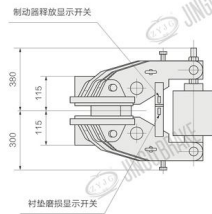
SH系列液压失效保护盘式制动器
SH SERIES HYDRAULIC FAILURE PROTECTION DISC BRAKES

ST3SH-A外形尺寸 ST3SH-A Dimension

弹簧制动-液压释放-适合盘厚: 30mm
Spring brake-hydraulic release-suitable for disc thickness: 30mm



- 制动力矩 (Nm) = 制动力/1000x((ØB/2)-68)
- 进口口: M18x1.5



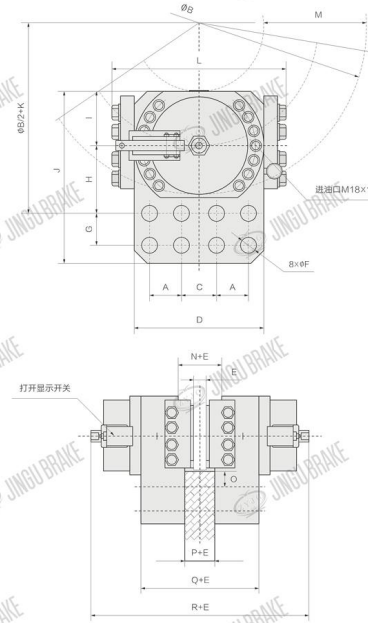
ST3SH-A 基本参数和尺寸 TECHNICAL DATA AND DIMENSIONS OF ST3SH-A

		ØB-单位:mm	
制动力 Brake torque	N	220000	
释放压力 Release pressure	bar	110-120	
安全释放的移位容量 Safe release shift capacity	cm ³	180	
总油缸容积 Total cylinder volume	cm ³	310	
响应时间 Response time	S	0.2	
重量 weight	kg	118	
A	mm	=(0.171xØB)+240	
C	mm	=(0.47xØB)-120	
匹配液压站型号 Matching hydraulic station model		一拖一: YZ1-20-10 一拖四: YZ2-20-20	

*注: 产品有更新, 请注意最新版本。 Note: The product is updated, please pay attention to the latest version.

ST10SH, ST16SH, ST25SH, ST40SH外形尺寸

弹簧制动-液压释放 Spring brake-hydraulic release



- ST10SH 连接件: 8个螺栓M24 等级12.9 上紧力矩: 1000Nm
- ST16SH 连接件: 8个螺栓M30 等级12.9 上紧力矩: 1350Nm
- ST25SH 连接件: 8个螺栓M30 等级12.9 上紧力矩: 1500Nm
- ST40SH 连接件: 8个螺栓M39 等级12.9 上紧力矩: 5000Nm

ST10SH, ST16SH, ST25SH, ST40SH
基本参数和尺寸

ØB-单位:mm

制动器型号	ST10SH	ST16SH	ST25SH	ST40SH
制动力矩公式 Nm	ST10SH: 制动力矩=制动力/1000x(ØB/2-76) ST16SH: 制动力矩=制动力/1000x(ØB/2-90) ST25SH: 制动力矩=制动力/1000x(ØB/2-90) ST40SH: 制动力矩=制动力/1000x(ØB/2-100)			
额定制动力 KN	81000	150000	200000	288000
ST10SH匹配液站	YZ1-20-10			
进口口尺寸	进口口尺寸均为18x1.5			
间隙 mm	2	1	2	
工作压力 Mpa	13	15	19	
油缸容积 ml	275	360	560	810
响应时间 S	0.2			
完全释放移位容量 ml	32	32	88	31
重量 kg	-	218	286	-
A	45	65	72	100
C	45	70	90	100
D	190	260	302	367
F	25	32	32	41
G	55	65	65	100
H	130	135	150	219
I	95	110	130	168
J	300	345	380	622
K	45	45	60	119
L	315	370	400	462
M	190	205	220	268
N	88	88	88	90
O	35	35	50	100
P	48	48	48	50
Q	288	288	288	306
R	648	600	650	630

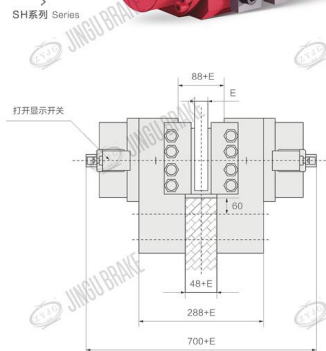
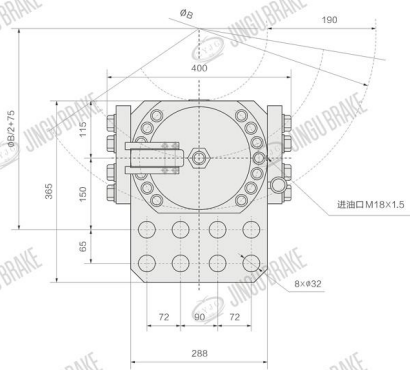
*注: 具体型号、结构及外形尺寸保留更改的权利。
Note: The size of the specific type and structure should be retained.

SH系列液压失效保护盘式制动器

SH SERIES HYDRAULIC FAILURE PROTECTION DISC BRAKES

ST25SH-A外形尺寸 ST25SH-A Dimension

弹簧制动-液压释放 Spring brake-hydraulic release



- 连接件: 8个螺栓M30 等级12.9
- 上紧力矩: 1500Nm
- 制动力矩 (Nm) = 制动力/1000x[(øB/2)-75]

ST25SH-A 基本参数和尺寸 TECHNICAL DATA AND DIMENSIONS OF ST25SH-A

øB-单位: mm

最大制动力 Maximum braking force	N	230000	200000	180000	150000
间隙 Clearance	mm	1.0	2.0	3.0	4.0
释放压力 Release pressure	bar			190	
安全释放的移位容量 Safe release shift capacity	ml			95	
油缸容积 Total cylinder volume	ml			560	
响应时间 Response time	S			0.2	
重量 weight	kg			280	
匹配液压站型号 Matching hydraulic station model		一拖一: YZ1-20-10 一拖四: YZ2-20-20			

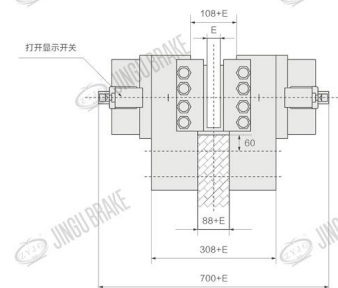
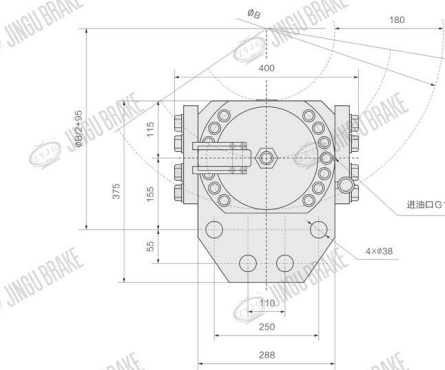
*注: 产品有更新, 请注意最新版本。 Note: The product is updated, please pay attention to the latest version.

SH系列液压失效保护盘式制动器

SH SERIES HYDRAULIC FAILURE PROTECTION DISC BRAKE

ST25SH-C外形尺寸 ST25SH-C Dimension

弹簧制动-液压释放 Spring brake-hydraulic release



- 连接件: 4个螺栓M36 等级12.9
- 上紧力矩: 4280Nm
- 制动力矩 (Nm) = 制动力/1000x[(øB/2)-60]

ST25SH-C 基本参数和尺寸 TECHNICAL DATA AND DIMENSIONS OF ST25SH-C

øB-单位: mm

最大制动力 Maximum braking force	N	230000	200000	180000	150000
间隙 Clearance	mm	1.0	2.0	3.0	4.0
释放压力 Release pressure	bar			160	
安全释放的移位容量 Safe release shift capacity	ml			570	
油缸容积 Total cylinder volume	ml			115	
响应时间 Response time	S			0.2	
重量 weight	kg			280	
匹配液压站型号 Matching hydraulic station model		一拖一: YZ1-20-10 一拖四: YZ2-20-20			

*注: 产品有更新, 请注意最新版本。 Note: The product is updated, please pay attention to the latest version.

SH系列液压失效保护盘式制动器 SH SERIES HYDRAULIC FAILURE PROTECTION DISC BRAKES

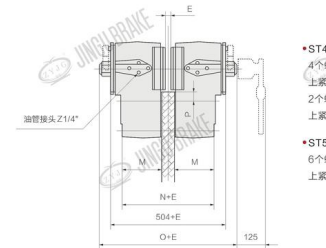
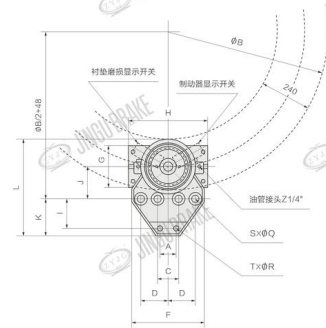
ST4SH、ST5SH基本参数和尺寸 ØB-单位: mm

制动扭矩公式 Nm	制动扭矩=制动力/1000X(ØB/2-108)
单侧行程 mm	1
释放压力 Mpa	ST4SH: 10 ST5SH: 19
进油口尺寸	ST4SH: Z1/4 ST5SH: Z1/2
额定制动力 kN	ST4SH: 120000 (安全制动) / 90000 (工作制动) ST5SH: 293000 (安全制动) / 220000 (工作制动)
响应时间 S	0.2
完全释放位移容差 cm ²	ST4SH: 110 ST5SH: 120
总油缸容积 cm ³	ST4SH: 408 ST5SH: 678
ST4SH匹配液泵站	一拖一、一拖二: YZ1-10-10 一拖四: YZ2-20-20
ST5SH匹配液泵站	一拖一、一拖二: YZ1-20-10 一拖四: YZ2-20-20
重量 kg	ST4SH: 285 ST5SH: 440
A	80
C	100
D	125
F	336
G	ST4SH: 200 ST5SH: 204
H	ST4SH: 355 ST5SH: 420
I	140
J	155
K	173
L	460
M	190
N	410
O	ST4SH: 617 ST5SH: 970
P	40
Q	34
R	25
S	ST4SH: 4 ST5SH: 6
T	ST4SH: 2 ST5SH: 0

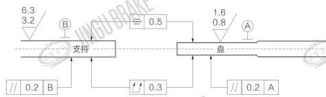
*注: 具体型号、结构及外形尺寸保留更改的权利。
Note: The size of the specific type and structure should be retained.

ST4SH、ST5SH外形尺寸 ST4SH、ST5SH Dimension

弹簧制动-液压释放 Spring brake-hydraulic release



- ST4SH: 连接件
4个螺栓M33; 等级10-9
上紧力矩: 685Nm
2个螺栓M24; 等级10-9
上紧力矩: 255Nm
- ST5SH: 连接件
6个螺栓M33; 等级10-9
上紧力矩: 1600Nm



主要特点 Main Feature

- 体积小, 重量轻。无石棉制动衬垫, 绿色环保, 安装、更换方便快捷。
- 制动力大、维修费用低, 带衬垫磨损自动补偿装置(制动力矩稳定), 响应时间短。
- 安装公差大, 制动盘端面跳动最大值: $\pm 0.2\text{mm}$ 。底座相对于盘的垂直度偏差: $\pm 4\%$ 。
- 制动盘相对于底座中心距偏差, 最大值: $\pm 2.5\text{mm}$ 。

MAIN FEATURE

- Small size and light weight. Asbestos free brake pad, green and environmental protection, convenient and fast installation and replacement.
- Large braking torque, low maintenance cost, with automatic pad wear compensation device (stable braking torque) and short response time.
- The installation tolerance is large, and the maximum value of end face runout of brake disc is $\pm 0.2\text{mm}$. Perpendicularity deviation of base relative to disc: $\pm 4\%$.
- Center distance deviation of brake disc relative to base, maximum value: $\pm 2.5\text{mm}$.

使用条件 Operating Condition

- 环境温度: $-20^{\circ}\text{C} \sim +50^{\circ}\text{C}$
- 周围工作环境中不得有易燃、易爆气体。
- 相对湿度: 空气相对湿度不大于90%
- 使用地点的海拔高度符合GB755-2019
- 户外雨雪侵蚀或有腐蚀性气体和介质应采用防腐型产品。

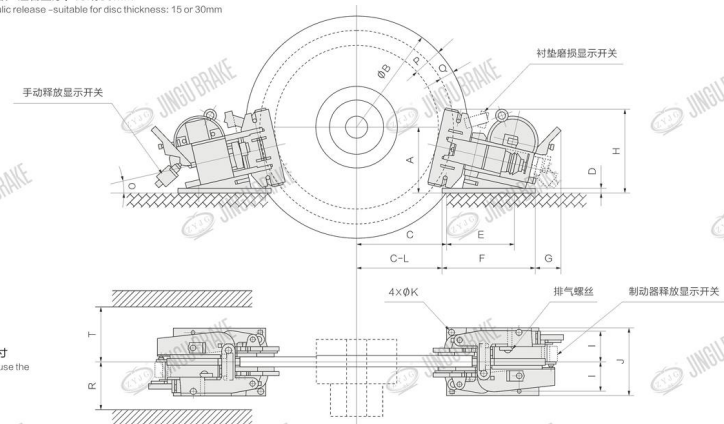
OPERATING CONDITION

- Ambient temperature: $-20^{\circ}\text{C} \sim +50^{\circ}\text{C}$
- There shall be no inflammable or explosive gas in the surrounding working environment.
- Relative humidity: the relative humidity of the air is not more than 90%
- The altitude of the place of use conforms to GB755-2019
- Outdoor rain and snow erosion or corrosive gases and media should use anti-corrosion products.

5SH、450SH、4SH、3SH外形尺寸 5SH、450SH、4SH、3SH Dimension

弹簧制动-液压释放-适合盘厚: 15或30mm

Spring brake-hydraulic release-suitable for disc thickness: 15 or 30mm



*推荐使用的空间尺寸
(It is recommended to use the space size)

ADP系列气动直动制动器

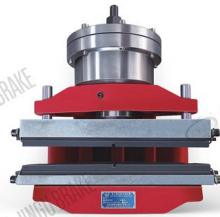
ADP SERIES PNEUMATIC STRAIGHT MOVING BRAKES

使用条件 Operating Condition

- 环境温度: -25℃ ~ +40℃
- 使用地点的海拔高度不超过2000m。
- 制动器周围工作环境中, 无危险的介质及足以腐蚀金属和破坏绝缘的气体 and 导电尘埃。
- 在空气相对湿度不大于90%的室内或有防雨、雪的装置下使用。
- 电源电压为DC110V或DC220V。若用户有特殊要求, 请订货时协商确定。

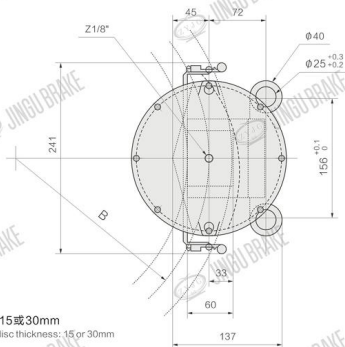
OPERATING CONDITION

- Ambient temperature: -25℃ ~ +40℃
- The altitude of the place of use shall not exceed 2000 m.
- In the working environment around the brake, there is no dangerous medium and enough gas and conductive dust to corrode metals and destroy insulation.
- Used indoors with air relative humidity not more than 90% or under rain or snow protection devices.
- The supply voltage is DC110V or DC220V. Customers have special requirements, please negotiate when ordering.

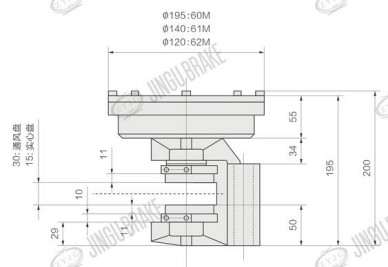


ADP系列 Series

ADP60M、ADP61M、ADP62M外形尺寸 Outline Dimensions



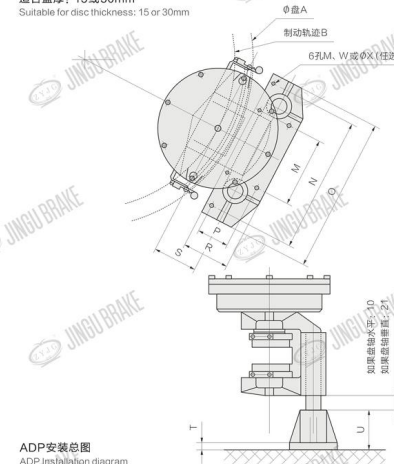
适合盘厚: 15或30mm
Suitable for disc thickness: 15 or 30mm



注: 盘厚度
15或30mm

底板与盘平行时的装配形式 Installation type

适合盘厚: 15或30mm
Suitable for disc thickness: 15 or 30mm



ADP安装总图
ADP Installation diagram

ADP60M、ADP61M、ADP62M技术参数 TECHNICAL DATA

制动器型号 Brake type	压力 bar Pressure	制动力 N Braking force	重量 kg Weight
ADP60M	7.5	F=P×990	12
ADP61M	15	F=P×424	11
ADP62M	15	F=P×265	10

特别说明 Special description

- 制动力矩 (Nm) = 制动力 / 1000 × B (B为摩擦半径, 单位: mm)
- 对于“B”尺寸和安装数据, 请看ADP60M-ADP61M-ADP62M总装图
- P=可得到的压力 (bar)

ADP60M、ADP61M、ADP62M外形尺寸 OUTLINE DIMENSIONS

制动器型号 Brake type	安装及外形尺寸 Dimensions (mm)																				
	A	B	C	D	E	F	G	H	J	K	L	N	M	O	P	R	S	T	U	W	X
ADP60M	315	117	90	135	130	245	12	160	110	140	10	120	210	240	54	80	72	10	65	8	9
ADP61M	355	138	95	145	135	260	12	180	110	140	10	120	210	240	54	80	72	10	65	8	9
ADP62M	395	156	105	150	145	275	12	200	110	140	10	120	210	240	54	80	72	10	65	8	9
	445	183	115	160	155	295	12	225	110	140	10	120	210	240	54	80	72	10	65	8	9

*注: 具体型号, 结构外形尺寸保留更改的权利。 Note: The size of the specific type and structure should be retained.

DJPZ系列电机盘式制动器

DJPZ SERIES MOTOR DISC BRAKES

应用 Application

- DJPZ系列电机盘式制动器是电气传动系统的重要组成器件，它与Y系列电动机配套组成一种新型的YEJ系列电磁制动三相异步电动机。主要应用于冶金、化工、建筑、矿山机械等行业，实现快速停车和准确定位，对机构进行安全制动。该制动器具有结构紧凑、安装方便、噪音低、灵敏度高、制动可靠等优点。

APPLICATION

- DJPZ series motor disc brake is an important component of electric drive system. It forms a new YEJ series electromagnetic brake three-phase asynchronous motor with Y series motor. It is mainly used in metallurgy, chemical industry, construction, mining machinery and other industries to realize fast parking and accurate positioning, and to brake the mechanism safely. The brake has the advantages of compact structure, convenient installation, low noise, high sensitivity and reliable braking.

主要特点 Main Feature

- 常闭式设计，弹簧制动，电力释放，安全可靠。
- 结构简单、安装方便。动作迅速、可靠，可满足较高工作频率的工况要求。
- 带有手动释放功能，可在断电时应急释放。

MAIN FEATURE

- Normally closed design; spring applied, electric released, safe and reliable.
- Quick action, reliable, and they satisfy the working conditions of high operating frequency.
- With the manual release function, emergency release when the power failure.

型号意义 Model Significance



- 可根据需要加装检测开关，进行状态显示或保护。Detection switch can be installed as needed, which can realize signal indication and interlocking protection.

使用条件 Operating Condition

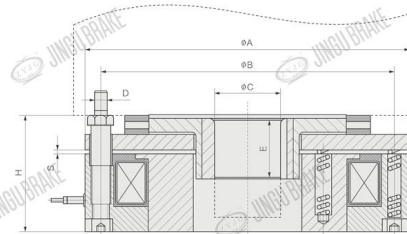
- 环境温度：-20℃~+40℃
- 海拔高度不超过2000米。
- 周围环境中，无爆炸危险介质及足以腐蚀金属和破坏绝缘的气体及导电尘埃。
- 相对湿度、空气相对湿度小于90%
- 安装时，摩擦盘和摩擦片及制动器内不得有油污和尘埃。
- 系列制动器线圈绝缘等级：B级。
- 制动器整流电源输入电压：AC380V，50Hz，工作方式为：S1或S3
- 有特殊要求时，在订货时协商确定。

OPERATING CONDITION

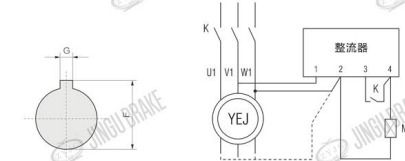
- Ambient temperature: -20℃~+40℃
- The altitude shall not exceed 2000 meters.
- Working condition: No risk of explosion conditions, gas and electrical arstrom which will corrode metal and damage the insulation.
- Air relative humidity less than 90%
- During installation, the friction disc, friction plate and brake shall be free of oil and dust.
- Series brake coil insulation class: B class.
- Input voltage of brake rectifier power supply: AC380V, 50Hz, working mode: S1 or S3
- Special requirements can be discussed before production.



DJPZ系列 Series



- 注：序号1、2、3、4为接线端子，M为制动器线圈。虚线为AC220V DC99V接线。



DJPZ系列电机盘式制动器技术参数 TECHNICAL PARAMETERS OF DJPZ SERIES MOTOR DISC BRAKES

表一

型号 Type	YEJ电机 YEJ motor		额定力矩 Nm Rated torque	额定功率 (20℃) w Rated power	接通时间 t1(s) Connection time	断开时间 t2(s) Off time	励磁电压 DC(V) Excitation voltage
	机座号 Motor number	额定功率 Rated power (kw)					
DJPZ114-18	90	1.1-1.2	18	60	0.12	0.11	99
DJPZ133-30	90	1.5-3	30	80	0.14	0.12	
DJPZ150-40	112	2.2-4	40	110	0.16	0.15	
DJPZ170-80	132	2.7-7.5	80	130	0.17	0.15	170
DJPZ202-160	160	4-18.5	160	150	0.22	0.21	
DJPZ244-230	180	11-22	230	150	0.25	0.23	
DJPZ280-400	200	15-37	400	200	0.33	0.31	
DJPZ300-530	225	22-35	530	200	0.37	0.35	

- 注：线圈功率指在20℃时，随选择输入电压不同允许有10%差异。 Note: The coil power refers to the difference of 10% with different input voltage at 20℃.

DJPZ系列电机盘式制动器外形尺寸 DIMENSIONS OF DJPZ SERIES MOTOR DISC BRAKES

表二

型号 Type	安装及外形尺寸 Dimensions (mm)									重量 Weight (kg)	
	A	B	C	D	E	F	G	H	S		
DJPZ114-18	126	114	24.8	3×M6	25	28.1	8	59	0.4	1.0	4.7
DJPZ133-30	145	133	29.5	3×M6	30	32.8	8	60	0.4		5.4
DJPZ150-40	165	150	29.5	3×M8	30	32.8	8	62	0.5		7.8
DJPZ170-80	188	170	39.5	3×M8	30	42.8	12	75	0.5	1.2	9.8
DJPZ202-160	220	202	44.5	4×M10	35	47.8	12	90	0.6		16
DJPZ244-230	265	244	49	4×M10	40	52.8	14	108	0.6	1.5	22.7
DJPZ280-400	310	280	59	4×M12	50	63.4	18	117	0.8		36
DJPZ300-530	330	300	65	4×M12	55	69.4	18	127	0.8	42	

- 注：S值为正常工作气隙。 Note: S value is normal working air gap.

YFX系列电力液压防风铁楔制动器

YFX SERIES ELECTRO-HYDRAULIC STORM BRAKING WEDGES BRAKES

应用 Application

- YFX系列电力液压防风铁楔制动器主要作为港口、码头、铁路等露天工作的龙门起重机、门座式起重机、装卸桥等各种有轨起重机在工作状态下的防风制动。同时也可与锚定装置、防风拉索等共同作用，用于起重机非工作状态下的安全防风制动措施。

APPLICATION

YFX series electric hydraulic windproof iron wedge brake is mainly used for windproof braking of gantry crane, portal crane, loading and unloading bridge and other rail cranes working in open air such as port, wharf and railway. At the same time, it can also work together with anchoring device and windproof cable to take safe windproof braking measure for crane under non working state.

主要特点 Main Feature

- 主要摆动铰点均设有自润滑轴承，传动效率高，动作迅速灵敏可靠，且寿命长。
- 具有手动释放功能，维护方便。
- 推动器具有弹簧复位功能，避免断电后推动器动作不灵敏模块不能及时复位。
- 楔块经特殊工艺处理，摩擦系数高，防腐性能好。

MAIN FEATURE

- All hinge points are fitted with self-lubrication bearings, with high transmission efficiency, agile movement and long service life.
- With manual releases function, and easy to maintain.
- The thrusters with spring resetting function avoiding the following situation: the wedge can't reset in time because the thruster's un-angle after power went off.
- The wedges is treated with special technique. It has high friction coefficient and excellent anti-corrosion performance.

型号意义 Model Significance



YFX系列 Series

使用条件 Operating Condition

- 环境温度：-20℃ ~ +50℃
- 相对湿度：空气相对湿度不大于90%
- 电源电压：3相、交流380V、50Hz
- 工作制：间歇性（S3-60%、1200次/小时）和连续（S1）
- 有特殊要求时，在订货时协商确定。

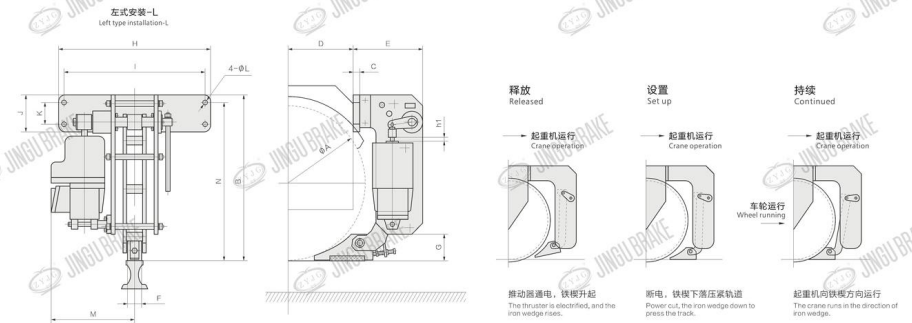
OPERATING CONDITION

- Ambient temperature: -20℃ ~ +50℃
- Relative humidity: air relative humidity is not more than 90%
- Voltages: AC 3 phase 380V 50Hz
- Operating duty: intermittent (S3-60%, 1200 times per hour) and continuous (S1)
- Special requirements can be discussed before production.

制动器附加功能表 BRAKE ADDITIONAL MENU

功能代号	表示意义	Significance of
K1	上升显示行程开关	Increase display limit switch
S1	左式安装	Left-mounted installation
S2	右式安装	Right-mounted installation

安装及外形尺寸 Outline And Installation Dimension



YFX系列电力液压防风铁楔制动器技术参数及安装尺寸 TECHNICAL DATA AND DIMENSIONS OF YFX SERIES STORM BRAKES

制动器型号 Brake type	推动器型号 Thruster type	安装及外形尺寸 Dimensions (mm)														重量 Weight (kg)	
		ΦA	B	C	D	E	F	G	H	I	J	K	L	M	N		h1
YFX-350/80	E d80/6ws	350	640	18	180	310	60	55	480	430	165	100	18	360	607	8	129
YFX-400/80	E d80/6ws	400	640	18	240	310	60	55	480	430	165	100	18	360	605	8	129
YFX-500/80		500			605												
YFX-550/80	E d80/6ws	550	640	18	240	310	60	55	480	430	165	100	18	360	605	8	129
YFX-600/80	E d80/6ws	600	760	20	260	315	60	120	650	600	170	100	22	360	725	8	146
YFX-630/80		630													725		
YFX-700/80	E d80/6ws	700	760	20	300	315	70	120	650	600	170	100	22	360	725	8	149
YFX-710/80		710													725		
YFX-800/80	E d80/6ws	800	950	25	300	315	70	120	700	650	170	100	22	395	915	8	164

- 注：电力液压推动器接线盒可旋转90°安装，并可根据用户需要决定安装在何侧。
Note: Electric-hydraulic thruster wiring box can be installed turning 90 degree, and also can be installed in specified position according to customer's requirement.
- 电力液压防风铁楔制动器分为左式和右式，从上图的主视图看，推动器在左边为左式，在右边为右式。
The electric hydraulic windbreak wedge brake is divided into left type and right type. From the main view above, the pusher is left type on the left and right type on the right.
- 由于规格不同，具体结构可能与上图有差异。
Due to different specifications, the specific structure may differ from the above figure.
- 具体型号、结构及外形尺寸保留更改的权利。
The size of the specific type and structure should be retained.

YLBZ系列液压轮边制动器

YLBZ SERIES HYDRAULIC WHEEL BRAKES

应用 Application

- YLBZ系列液压轮边制动器，主要作为港口、码头、等露天使用的大型起重机及港口装卸机械工作状态下的防风制动和非工作状态下的辅助防风制动。

APPLICATION

YLBZ series hydraulic wheel brake is mainly used for wind proof braking under working conditions and auxiliary windproof braking under non working conditions of large cranes and port handling machinery used in open air such as ports, wharfs and so on.

主要特点 Main Feature

- 碟簧液压缸性能优良，严格按照GB/T15622-2005设计、生产、制造。
- 常闭式设计，液压站驱动能力于碟形弹簧而释放，安全可靠。
- 制动块动作采用连杆结构，确保制动器松开时摩擦片平面各处与轮端面间隙均等。消除以往松闸状态摩擦片粘贴制动轮的现象。
- 防腐型设计，全部紧固件和销轴为不锈钢制造，防腐性好。

MAIN FEATURE

Disc spring hydraulic cylinder has excellent performance and is designed, produced and manufactured in strict accordance with GB/T15622-2005.

- Normally closed design, the hydraulic station drives the disc spring to release, which is safe and reliable.
- The action of the brake pad adopts the connecting rod structure to ensure that the clearance between the friction plate plane and the wheel end face is equal when the brake is released. Eliminate the phenomenon that the friction plate is attached to the brake wheel in the previous brake release state.
- Anti-corrosion design. All fasteners and spindles are made of stainless steel, with good anti-corrosion performance.

型号意义 Model Significance

YLBZ □-□-□

- 特殊要求 (可用文字说明) Special requirement (can be specified in words)
- 车轮宽度 Wheel width
- 车轮轮压 (10KN) Wheel pressure (10KN)
- 制动器型号 Brake type



YLBZ系列 Series

使用条件 Operating Condition

- 环境温度: -20℃ ~ +50℃
- 工作压力: 8Mpa
- 电源电压: 3相、交流380V、50Hz
- 户外雨雪侵蚀或有腐蚀性气体和介质应采用防腐型产品。
- 有特殊要求时，在订货时协商确定。

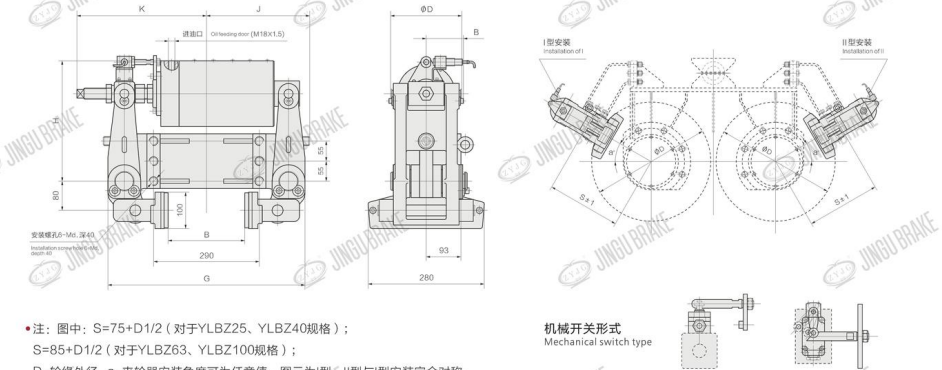
OPERATING CONDITION

- Ambient temperature: -20℃ ~ +50℃
- Working pressure: 8Mpa
- Voltages: AC 3 phase 380V 50Hz
- Outdoor rain and snow erosion or corrosive gases and media shall be anti-corrosion products.
- Special requirements can be discussed before production.

- 例：如额定夹紧力为50KN，轮宽160，左式装配，其订货标记为 YLBZ25-160-左；右式装配为YLBZ25-160-右。

- For example: If the rated clamping force is 50KN and the wheel width is 160, the order mark is YLBZ25-160-left; The right type assembly is YLBZ25-160-right.

安装及外形尺寸 Outline And Installation Dimension



- 注：图中：S=75+D1/2 (对于YLBZ25、YLBZ40规格)；
S=85+D1/2 (对于YLBZ63、YLBZ100规格)；
D-轮缘外径 a-夹轮器安装角度可为任意值。图示为I型、II型与型安装完全对称。

YLBZ系列液压轮边制动器技术参数及安装尺寸 TECHNICAL DATA AND DIMENSIONS OF YLBZ SERIES HYDRAULIC WHEEL BRAKES

制动器型号 Brake type	额定夹紧力 (KN) Rated clamping force	额定制动力 (KN) Rated power	安装及外形尺寸 Dimensions (mm)							重量 Weight (kg)
			B	K	J	H	D	G	d	
YLBZ 25-160	50	42	160	300	250	310	190	500	20	145
			150							
YLBZ 40-160	73	63	160	300	250	325	190	500	20	150
			180							
			200							
YLBZ 63-180	114	96	180	300	250	325	200	510	24	155
			200							
YLBZ 63-210	114	96	210	300	250	325	200	510	24	155
			200							
YLBZ 100-200	180	150	200	360	280	350	225	560	24	160

- 注：当轮宽尺寸B不在表中范围值内时，可与我们技术部门取得联系。
Note: Please contact our technical department, when wheel width B isn't within the range specified in above table.

- 具体型号，结构及外形尺寸保留更改的权利。
The size of the specific type and structure should be retained.

YJGQ系列液压夹轨器

YJGQ SERIES HYDRAULIC RAIL CLAMP

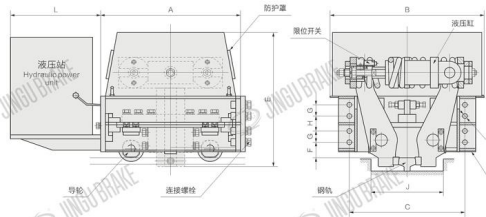
应用 Application

• 液压夹轨器是一种防止轨道式运行机械沿轨道方向自由运动的安全装置，主要用于室外各种起重机械工作状态及非工作状态下的防风制动，室外起重机自行式起重小车的防风制动以及皮带运输机卸料车的定位制动等。

APPLICATION

• Hydraulic rail clamping device is a safety device to prevent free movement of track-type running machinery along the track direction. It is mainly used for wind-proof braking in working and non-working conditions of outdoor lifting machinery, wind-proof braking of outdoor crane self-lifting trolley and positioning braking of unloading truck of belt conveyor.

安装及外形尺寸 Outline And Installation Dimension



YJGQ系列 Series

使用条件 Operating Condition

- 环境温度：-20℃ ~ +50℃
- 液压站驱动电源：3相、交流380V、50Hz
- 适用的工作方式：间断式，短时作用，较低频率。
- 有特殊要求时，在订货时协商确定。

OPERATING CONDITION

- Ambient temperature: -20℃ ~ +50℃
- Hydraulic power unit drive power supply: three-phase AC380V 50Hz
- Operation mode: intermittent, short-term and low frequency.
- Special requirements can be discussed before production.

YJGQ系列夹轨器技术参数及安装尺寸 TECHNICAL DATA AND DIMENSIONS OF YJGQ SERIES RAIL CLAMP

夹轨器型号 Rail clamp type	夹紧力 KN Clamping force	安装及外形尺寸 Dimensions (mm)										重量 Weight (kg)	钢轨型号 Rail type
		A	B	C	N-Ø-D	E	F	G	H	J	L		
YJGQ-16	160	820	870	630	6-Ø26	790	110	80	80	>310	650	1330	P50、QU70
YJGQ-20	200												QU80、QU100
YJGQ-25	250												
YJGQ-31	315	930	890	720	8-Ø30	835	97	70	93	>380	650	1330	QU80、QU100、QU120
YJGQ-40	400	1100	1100	830	8-Ø33	1050	125	100	100	>410	710	1508	QU80、QU100、QU120
YJGQ-60	600	1250	1250		8-Ø40	1100				>430			2117

• 注：具体型号、结构及外形尺寸保留更改的权利。 Note: The size of the specific type and structure should be retained.

XJYT系列液压夹轨器

XJYT SERIES HYDRAULIC RAIL CLAMP

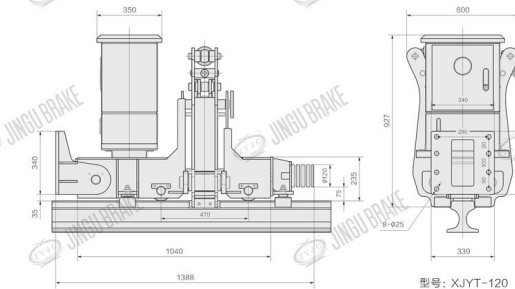
应用 Application

• 夹轨器适用于室外各种轨道起重机械工作状态下的防风及非工作状态下的辅助防风、室外起重机自行式起重小车的防风制动或防止摆动以及皮带运输机卸料车的定位制动等。

APPLICATION

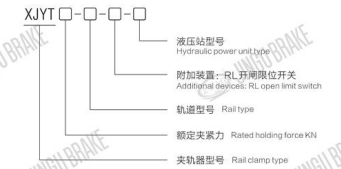
• The rail clamping device is suitable for wind proof in working state and auxiliary wind proof in non-working state of various outdoor track lifting machinery, wind proof braking of outdoor crane self-propelled lifting trolley or for preventing swing, positioning braking of unloading truck of belt conveyor, etc.

安装及外形尺寸 Outline And Installation Dimension



XJYT系列 Series

型号意义 Model Significance



• XJYT-250-P50-RL: 表示额定防滑力为250KN; 额定夹紧力为500KN, 适用轨道为P50。

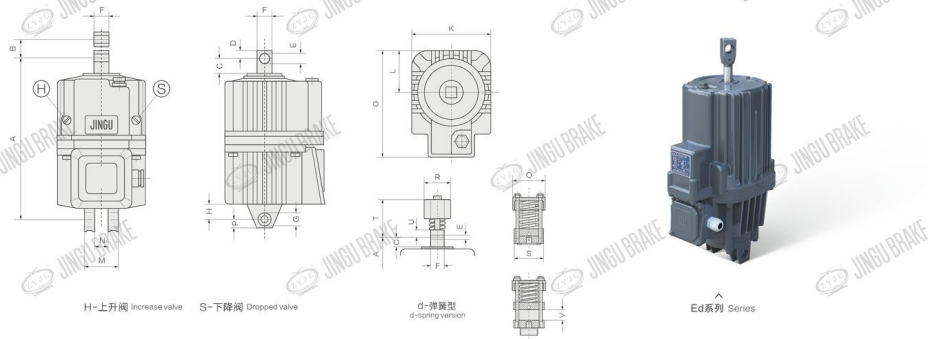
XJYT系列夹轨器技术参数及安装尺寸 TECHNICAL DATA AND DIMENSIONS OF XJYT SERIES RAIL CLAMP

夹轨器型号 Rail clamp type	夹紧力 Clamping force (KN)	防滑力 Anti-slip force (KN)	绳距 Clearance (mm)	电机功率 Motor power (KW)	电机电源 power supply of motor (Hz)	额定工作压力 Rated pressure (Mpa)	重量 Weight (kg)	钢轨型号 Rail type
XJYT-120	250	120	5	2.2	380V、50Hz	14	350	P38、P43、P50、QU70
XJYT-250	500	250	5	3	380V、50Hz	14	600	QU80、QU100、QU120等

• 注：表中钢轨型号为推荐配用型号，如需与其它轨道型号相配，请订货时协商确定。 Note: The rail models in the table are recommended. If you want to match other rail models, please consult and confirm when ordering.

安装及外形尺寸 Outline And Installation Dimension

型号 Type: Ed23-Ed80



Ed系列电力液压推动器技术参数 TECHNICAL DATA OF ED SERIES ELECTRO-HYDRAULIC THRUSTERS

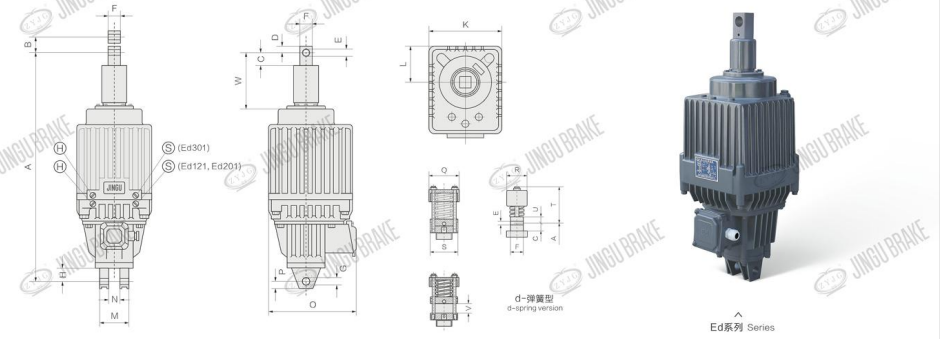
表一

推动器型号 Thrustor type	额定推力 Rated thrust (N)	额定行程 Rated stroke (mm)	制动力 Brake force (N)	复位弹簧力 Reset spring force (N)	额定频率 Rated frequency (Hz)	输入功率 Input power (W)	额定电压 Rated voltage (V)	额定电流 Rated current (A)	最大工作频率 Maximum operating frequency (Hz)	重量 Weight (kg)
短行程推动器 Short-stroke propulsion system										
Ed 23/5	220	50	180	105	50	165	380	0.52	2000	10
Ed 30/5	300	50	270	95	50	200	380	0.46	2000	14
Ed 40/4	400	40	270	95	50	200	380	0.46	2000	14
Ed 50/6	500	60	460	267	50	210	380	0.50	2000	21
Ed 70/6	700	50	460	267	50	210	380	0.50	2000	27
Ed 80/6	800	60	750	267	50	330	380	1.42	2000	24
Ed 121/6	1250	60	1200	700	50	330	380	1.44	2000	39
Ed 201/6	2000	60	1900	700	50	450	380	1.45	2000	39
Ed 301/6	3000	60	2700	700	50	550	380	1.46	1500	40
长行程推动器 Long-stroke propulsion system										
Ed 50/12	500	120	-	-	50	210	380	0.48	1200	26
Ed 80/12	800	120	-	-	50	330	380	1.42	1200	27
Ed 121/12	1250	120	-	-	50	330	380	1.44	1200	39
Ed 201/12	2000	120	-	-	50	450	380	1.45	1200	39
Ed 301/12	3000	120	-	-	50	550	380	1.46	900	40
Ed 630/12	6300	120	-	-	50	1100	380	2.4	630	

P091/ 河南金箱®工业制动系统提供商

安装及外形尺寸 Outline And Installation Dimension

型号 Type: Ed121-Ed630



Ed系列电力液压推动器外形尺寸 DIMENSIONS OF ED SERIES ELECTRO-HYDRAULIC THRUSTERS

表二

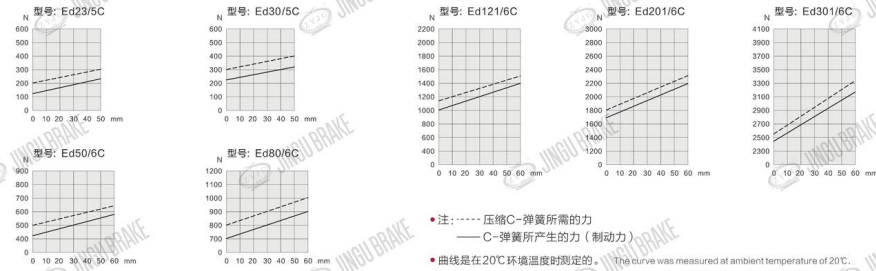
推动器型号 Thrustor type	安装及外形尺寸 Dimension (mm)																						
	A	B	C	D	E	F	G	H	K	L	M	N	O	P	Q	R	S	T	U	V	W		
Ed 23/5	286 ^①	50	26	12	12	20	16	20	160	80	80	40	200	16	85	55	75	98	20	15	-	-	
Ed 30/5	370 ^②	50	34	15	16	25	16	18	160	80	80	40	197	16	85	55	75	98	20	15	-	-	
Ed 40/4	377	40	41	15	16	30	16	23	190	95	80	40	197	16	-	-	-	-	-	-	-	-	
Ed 50/6	435	60	36	18	20	30	20	23	190	95	120	60	254	22	85	55	75	100	22	15	-	-	
Ed 70/5	430	50	31	17	20	30	20	24	190	95	100	41	254	22	-	-	-	-	-	-	-	-	
Ed 80/6	450	60	-	-	20	30	20	23	190	95	120	60	254	22	85	55	75	100	22	-	-	-	
Ed 50/12	515	120	36	18	20	30	20	23	190	95	120	60	254	22	-	-	-	-	-	-	-	-	
Ed 80/12	530	120	-	-	-	-	-	-	-	-	-	-	-	-	-	-	-	-	-	-	-	-	
Ed 121/6	645	60	38	25	25	40	25	35	240	112	90	40	260	25	130	80	120	147	35	20	130	-	
Ed 201/6																							
Ed 301/6																							
Ed 121/12	705	120	38	25	25	40	25	35	240	112	90	40	260	25	-	-	-	-	-	-	-	-	190
Ed 201/12																							
Ed 301/12																							
Ed 630/12	865	120	38	25	25	40	25	40	270	127	110	60	327	25	-	-	-	-	-	-	-	-	-

* ① 旋转90°时, A=294 ② 旋转90°时, A=378 ③ A=294 ④ 旋转90°时, 旋转90° A=378

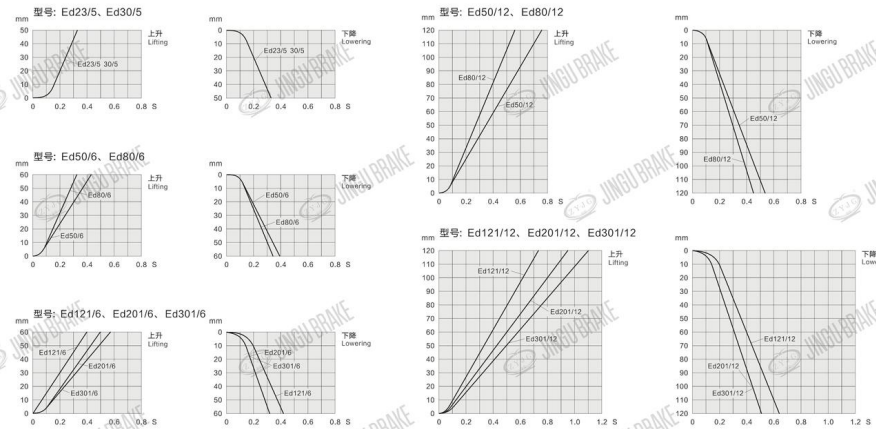
* 注: 具体型号、结构及外形尺寸保留更改的权利。 Note: The size of the specific type and structure should be retained.

JINGU BRAKES / P092

C-弹簧曲线 C-Spring coil curve



行程时间曲线 Route of travel time curve



ZED 交直流两用电力液压推动器
 ZED AC DUAL-PURPOSE ELECTRO-HYDRAULIC THRUSTERS

应用 Application

• ZEd系列交直流两用电力液压推动器,是我公司在Ed推动器的基础上自行研制的专利产品,采用先进的无刷电机,辅以数字控制电路,适用于DC220V、AC220V的供电系统;具有启动平稳,噪音低,抗干扰和节能环保等特点。广泛用于以前使用变频器的场合,以提高系统的性能(调速范围、精度),降低成本。

APPLICATION

• Zed series AC/DC dual-purpose electro-hydraulic thruster is a patented product developed by our company on the basis of Ed thruster. It adopts advanced brushless motor and digital control circuit, which is suitable for DC 220V and AC 220V power supply system. It has the characteristics of stable starting, low noise, anti-interference, energy saving and environmental protection. It is widely used in previous occasions where frequency converter is used to improve system performance (speed range, precision) and reduce cost.

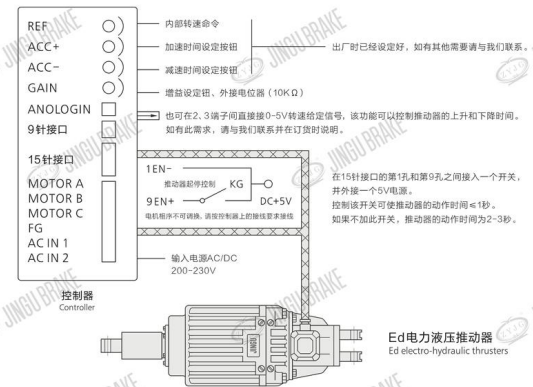
使用条件 Operating Condition

- 环境温度: -20°C ~ +45°C
- 当温度低于-20°C时,需要装加热器或使用HY-10航空油;
- 空气相对湿度: 不大于90%;
- 通电持续率: 0~100%;
- 室内使用,并且周围环境符合GB/T15957的相关规定。
- 有特殊要求时,在订货时协商确定。

OPERATING CONDITION

- Ambient temperature: -20°C ~ +45°C
- When the temperature is lower than -20°C, it is necessary to install heater or use hy-10 aviation oil;
- Air relative humidity: ≤90%;
- Electric continuous rate: 0~100%;
- Indoor use, and the surrounding environment accords with the relevant provisions of GB/T 15957.
- Special requirements can be discussed before production.

电气原理图 Electrical schematic diagram



主要特点 Main Feature

- 该产品由控制器和Ed电力液压推动器两部分组成。
- 注意: 在控制器带电或两个LED灯发光期间,禁止打开控制器或接触控制盒内部,否则有触电的危险!

MAIN FEATURE

- The product consists of controller and Ed electro-hydraulic thruster.
- Note: when the controller is charged or two LED lights are on, it is forbidden to open the controller or touch the interior of the controller, otherwise the danger of electric shock!

- 该产品技术参数和外形尺寸均与Ed相同,本说明恕不再赘述。请参照Ed系列电力液压推动器。
- The technical parameters and dimensions of the product are the same as those of Ed, so this description will not be repeated.

YT1系列电力液压推动器

YT1 SERIES ELECTRO-HYDRAULIC THRUSTERS

应用 Application

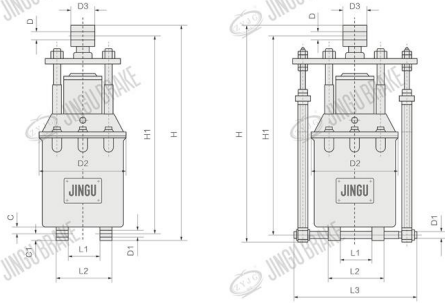
- YT1系列电力液压推动器是一种集电机，离心泵，油缸为一体的，结构非常紧凑的驱动控制装置，用作YWZa、YWZs等系列鼓式制动器及盘式制动器的驱动装置，还可用于各种工业阀门、闸门、定向摆动和转动（垂直向上安装）装置（机构）及夹紧装置的驱动控制。

APPLICATION

- YT1 series electro-hydraulic thruster is a kind of drive control system, which is very compact in structure, and integrates electrical motor, centrifugal pump and oil cylinder. It is extensively used as drive mechanism of various YWZa and YWZs series drum and disc brakes, drive control of various industrial valves, penstock, directional pendulum and steering (installed upward vertically) mechanism, and clamping devices as well.

- YT1系列电力液压推动器的绝缘等级为B级，外壳防护等级为IP54。
- The insulation grade of YT1 series electric hydraulic thruster is grade B, and the protection grade of shell is IP54.

安装及外形尺寸 Outline And Installation Dimension



不具有负荷弹簧的推动器
Thruster without brake spring

具有负荷弹簧的推动器
Thruster with brake spring

YT1系列 Series



使用条件 Operating Condition

- 环境温度：-20℃~+45℃时，使用DB-25液压油，使用前需先加注油液。
- 空气相对湿度不大于90%。
- 使用地点的海拔高度符合GB755-2019标准。
- 电源电压：3相、交流380V、50Hz（其它电源等级可按需要定制）
- 周围工作环境中没有易燃、易爆及足以腐蚀金属和破坏绝缘的气体及尘埃。
- 有特殊要求时，在订货时协商确定。

OPERATING CONDITION

- Ambient temperature: -20℃~+45℃, use the DB-25 hydraulic oil, it needs to be filled with oil before use.
- Relative humidity: ≤90%
- The altitude of the site is in accordance with the GB755-2019 standard.
- Voltages: AC 3 phase 380V, 50Hz (Other voltage can be made as required)
- There is no inflammable, explosive, corrosive metal and insulation damaging gas and dust in the surrounding working environment.
- Special requirements can be discussed before production.

型号意义 Model Significance



推动器附加装置 ADDITIONAL FUNCTION TABLE

功能代号 Function code	表示意义 Model Significance
E1	上升机械式行程开关 Increased mechanical limit switch
E2	下降机械式行程开关 Decline mechanical limit switch
EB	感应式行程开关 Inductive limit switch

YT1系列电力液压推动器技术参数及外形尺寸 TECHNICAL DATA AND DIMENSIONS OF YT1 SERIES ELECTRO-HYDRAULIC THRUSTERS

推动器型号 Thruster type	额定推力 Rated thrust (kg)	额定行程 Rated stroke (mm)	电动机容量 Motor capacity (kw)	额定电压 Rated voltage (V)	额定电流 Rated current (A)	动作时间 (s)		频率 Frequency (c/s)	安装及外形尺寸 Dimensions (mm)										重量 Weight (kg)
						上升	下降		D	D1	D2	D3	H	H1	L1	L2	C	C1	
YT1-10ZB/2	18	25	0.06	380	0.28	0.6	0.4	720	12	12	137	25	343	321	25	50	15	12	9
YT1-25ZB/4	25	40	0.08	380	0.32	0.7	0.4	720	12	16	154	25	386	360	32	64	18	16	12
YT1-25ZC/4													408	380					
YT1-45Z/4	45	40	0.14	380	0.39	0.7	0.4	720	16	20	178	30	496	460	47	94	23	20	18
YT1-45Z/5													50	50					
YT1-45Z/6													60	60					
YT1-90Z/6	90	80	0.25	380	0.62	0.8	0.5	720	20	26	210	40	600	555	60	120	30	25	28
YT1-90Z/8													80	80					
YT1-125Z/10	125	100	0.4	380	0.98	0.75	0.6	720	25	25	254	50	745	695	40	90	30	25	52
YT1-180Z/8													80	80					
YT1-180Z/10													100	100					
YT1-180Z/12													120	120					
YT1-320Z/12	320	120	1.5	380	3.4	0.9	0.9	720	35	35	375	55	877	815	100	190	44	35	126
YT1-320Z/20													200	200					
推动器型号 Thruster type	弹簧制动力 Braking spring force (kg)	额定行程 Rated stroke (mm)	电动机容量 Motor capacity (kw)	额定电压 Rated voltage (V)	额定电流 Rated current (A)	动作时间 (s)		频率 Frequency (c/s)	安装及外形尺寸 Dimensions (mm)										重量 Weight (kg)
						上升	下降		D	D1	H	D3	H1	L1	L2	L3	C	C1	
YT1-25/4	20	40	0.08		0.32	0.7	0.4		12	16	408	25	380	32	64	228	18	16	14
YT1-45/6	40	60	0.12		0.39	0.7	0.4		16	20	496	30	460	47	94	266	23	20	21
YT1-90/8	70	80	0.25	380	0.62	0.8	0.5	720	20	25	600	40	555	60	120	320	30	25	31
YT1-125/10	90	100	0.4		0.98	0.75	0.6		25	25	745	50	695	40	90	390	30	25	56
YT1-180/12	105	120	0.4		0.98	1	0.6		25	30	820	50	765	85	170	420	40	30	60
YT1-320/12	280	120				0.9	0.9	720			995		930						160
YT1-320/20	250	200	1.1	380	2.6	2.4	2	470	35	35	1100	55	1035	100	190	515	44	35	170

•注：具体型号，结构及外形尺寸保留更改的权利。 Note: The size of the specific type and structure should be retained.

BEd系列隔爆型电力液压推动器

BEd SERIES EXPLOSION PROTECTED ELECTRO-HYDRAULIC THRUSTERS

应用 Application

- BEd系列隔爆型电力液压推动器，主要用途是作为电力液压鼓式制动器的驱动装置，也可通过杆杆机械完成往复、圆周、摆动等形式的快速运动，适用于起重、运输、冶金、矿山、港口、建筑等行业。
- 其隔爆性能符合GB3836.2-2010《爆炸性环境用防爆电气设备、隔爆型电气设备“D”》的规定，防爆标志为ExdI Mb、ExdII CT4，分别用于煤矿井下及II A、II B (II类A级、II类B级) 温度组别为T1-T4组可燃气体或蒸汽与空气形成的爆炸性混合物场所。

APPLICATION

- BEd series explosion protected electro-hydraulic thruster is mainly used as the driving device of electric hydraulic drum brake. It can also complete reciprocating, circular, swinging and other forms of rapid movement through lever machinery. It is suitable for lifting, transportation, metallurgy, mining, port, construction and other industries.
- Its explosion-proof performance conforms to GB3836.2-2010 "explosion-proof electrical equipment, explosion-proof electrical equipment "D" for explosive environment. The explosion-proof signs are ExdI Mb and ExdII CT4, which are respectively used in coal mines and places where the temperature groups of II A and II B (class II A and class II B) are T1-T4 combustible gas or explosive mixture formed by steam and air.



BEd系列 Series

BEd系列隔爆推动器技术参数 TECHNICAL DATA OF BEd SERIES EXPLOSION PROTECTED ELECTRO-HYDRAULIC THRUSTERS

表一

推动器型号 Thruster type	额定推力 Rated thrust (N)	额定行程 Rated stroke (mm)	制动弹簧力 Brake spring force (N)	功率 Power (W)		额定电流 Rated current (A)	工作频率 Operating frequency (1/h)	重量 Weight (kg)		动作时间 Action time (s)		额定电压 Rated voltage (V)
				d I	dII CT4			Exd I	ExdII CT4	d I	dII CT4	
短行程推动器 Short stroke propulsion system												
BEd 30/5	300	50	270	200	200	0.46	1500	36	36	0.37	0.36	380
BEd 50/6	500	60	460	330	330	1.2		52	52	0.62	0.61	
BEd 80/6	800		750	330	330	1.42		53	53	0.5	0.49	
BEd 121/6	1250	60	1200	365	365	1.44	1500	76	76	0.58	0.54	380
BEd 201/6	2000		1900	450	450	1.45		78	78	0.57	0.46	
BEd 301/6	3000		2700	550	550	1.46		79	79	0.74	0.44	
长行程推动器 Long-stroke propulsion system												
BEd 50/12	500	120	—	240	275	1.2	900	62	62	1.02	0.72	380
BEd 80/12	800		290	280	1.42	63		63	0.83	0.65		
BEd 121/12	1250	120	—	365	310	1.44	900	79	79	0.99	0.81	380
BEd 201/12	2000		—	375	385	1.45		81	81	1.10	0.65	
BEd 301/12	3000		—	445	470	1.46		83	83	1.31	0.64	

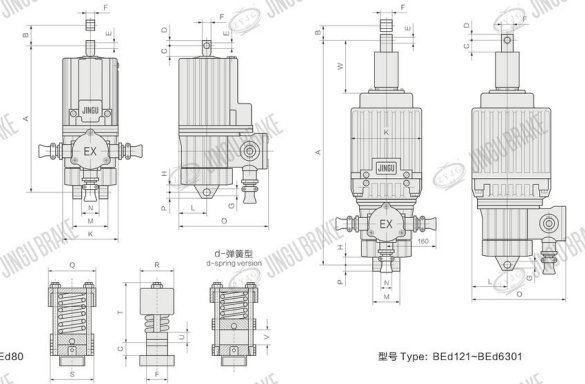
使用条件 Operating Condition

- 海拔高度不超过1000m
- 环境温度：-20℃~+40℃
- 安装地点最湿月的月平均最大相对湿度不超过90%
- 周围环境的污染等级允许为3级
- 电源电压：三相交流，额定电压为127V、220V、380V、660V、1140V、50Hz (60Hz)
- 有特殊要求时，在订货时协商确定。

OPERATING CONDITION

- Altitude not exceeding 1000m
- Ambient temperature: -20°C +40°C
- The monthly average maximum relative temperature of the wettest month in the installation site shall not exceed 90%.
- The pollution level is allowed to be 3.
- Voltages: three-phase AC, frequency is 50Hz, rated voltage is 127V, 220V, 380V, 660V, 1140V.
- Special requirements can be discussed before production.

安装及外形尺寸 Outline And Installation Dimension



型号 Type: BEd30-BEd80

型号 Type: BEd121-BEd6301

BEd系列隔爆推动器外形尺寸 DIMENSIONS OF BEd SERIES EXPLOSION PROTECTED ELECTRO-HYDRAULIC THRUSTERS

表二

推动器型号 Thruster type	安装及外形尺寸 Dimensions (mm)																						
	A	B	C	D	E	F	G	H	K	L	M	N	O	P	Q	R	S	T	U	V	W		
BEd 30/5	410	50	34	15	16	25	16	18	160	80	80	40	285	16	85	55	75	98	20	15	—	—	
BEd 50/6	490	60	36	18	20	30	20	23	190	95	120	60	308	20	85	55	75	100	22	15	—	—	
BEd 80/6																							
BEd 50/12	570	120	36	18	20	30	20	23	190	95	120	60	308	20	—	—	—	—	—	—	—	—	—
BEd 80/12																							
BEd 121/6																							
BEd 201/6	690	60	38	25	25	40	25	35	240	112	90	40	325	25	130	80	120	147	35	20	130	—	—
BEd 301/6																							
BEd 121/12	750	120	38	25	25	40	25	35	240	112	90	40	325	25	—	—	—	—	—	—	—	—	190
BEd 201/12																							
BEd 301/12																							
BEd 630/12	910	120	38	25	25	40	25	35	270	130	90	40	346	25	—	—	—	—	—	—	—	—	—

*注：具体型号，结构及外形尺寸保留更改的权利。 Note: The size of the specific type and structure should be retained.

BYT1系列隔爆型电力液压推动器

BYT1 SERIES EXPLOSION PROTECTED ELECTRO-HYDRAULIC THRUSTERS

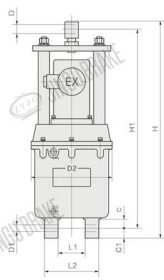
应用 Application

- BYT1系列隔爆型电力液压推动器是一种集电机、离心泵、油缸为一体，机构紧凑的驱动装置，广泛用于各种鼓式制动器和盘式制动器的驱动装置。
- BYT1 series explosion-proof electric hydraulic thruster is a compact driving and mounting control device integrating motor, centrifugal pump and oil cylinder. It is widely used in the driving devices of various drum brakes and disc brakes.

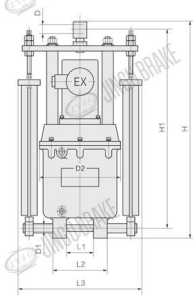
符合标准 Standards Compliant

- 其隔爆性能符合GB3836.1-2010《爆炸性环境第一部分：设备通用要求》、GB3836.2-2010《爆炸性环境第二部分：由隔爆外壳“D”保护的设备的》的规定，防爆标志为：ExdI。
- Its flameproof performance complies with GB3836.1-2010 explosive atmospheres part 1: General requirements for equipment and GB3836.2-2010 explosive atmospheres part 2: equipment protected by flameproof enclosure "D". The explosion-proof mark is ExdI.

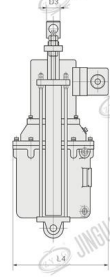
安装及外形尺寸 Outline And Installation Dimension



不具有负荷弹簧的推动器
Thruster without brake spring

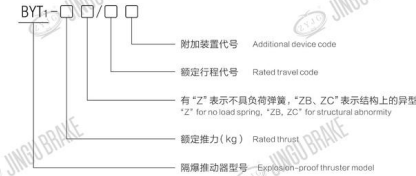


具有负荷弹簧的推动器
Thruster with brake spring



BYT1系列 Series

订货标记 Order Mark



推动器附加功能表 PUSHER ADDITIONAL MENU

功能代号 Function code	表示意义 Express meaning
E1	上升机械式行程开关 Rising mechanical travel switch
E2	下降机械式行程开关 Down mechanical travel switch
E3	感应式行程开关 Inductive travel switch

BYT1系列隔爆推动器技术参数及外形尺寸 TECHNICAL DATA AND DIMENSIONS OF BYT1 SERIES EXPLOSION PROTECTED THRUSTERS

推动器型号 Thruster type	额定推力 Rated thrust (kg)	额定行程 Rated stroke (mm)	电动机容量 Motor capacity (kw)	额定电压 Rated voltage (V)	额定电流 Rated current (A)	动作时间 (s)		频率 Frequency (c/s)	安装及外形尺寸 Dimensions (mm)											重量 Weight (kg)																							
						上升	下降		D	D1	D2	D3	H	H1	L1	L2	L4	C	C1																								
BYT1-18ZB/2	18	25	0.06	380	0.32	0.6	0.4	720	12	12	137	25	343	321	25	50	229	15	12	10																							
BYT1-25ZB/4	25	40	0.06	380	0.32	0.7	0.4	720	12	16	154	25	386	360	32	64	237	18	16	13																							
BYT1-25ZC/4																					408	380																					
BYT1-45Z/4	45	50	0.14	380	0.45	0.7	0.4	720	16	20	178	30	496	460	47	94	244	23	20	20																							
BYT1-45Z/6																					60																						
BYT1-90Z/6																					60																						
BYT1-90Z/8	90	80	0.25	380	0.58	0.8	0.5	720	20	25	210	40	600	555	60	120	270	30	25	30																							
BYT1-125Z/10	125	100	0.4	380	0.7	0.75	0.6	720	25	25	254	50	745	695	40	90	295	30	25	55																							
BYT1-180Z/8	180	80																																									
BYT1-180Z/10	180	100	0.4	380	0.7	1	0.6	720	25	30	254	50	820	765	85	170	295	40	30	56																							
BYT1-180Z/12																					120																						
BYT1-320Z/12	320	120	1.1	380	2.5	0.9	0.9	720	35	35	375	55	877	815	100	190	433	44	35	130																							
BYT1-320Z/20																					200																						
推动器型号 Thruster type	弹簧制动力 Braking spring force (kg)	额定行程 Rated stroke (mm)	电动机容量 Motor capacity (kw)	额定电压 Rated voltage (V)	额定电流 Rated current (A)	动作时间 (s)		频率 Frequency (c/s)	安装及外形尺寸 Dimensions (mm)											重量 Weight (kg)																							
BYT1-25/4	20	40	0.06		0.32	0.7	0.4		12	16	408	25	380	32	64	228	237	18	16	15																							
BYT1-45/6	40	60	0.12		0.45	0.7	0.4		16	20	496	30	460	47	94	266	244	23	20	23																							
BYT1-90/8	70	80	0.25	380	0.58	0.8	0.5	720	20	25	600	40	555	60	120	320	270	30	25	33																							
BYT1-125/10	90	100	0.4		0.7	0.75	0.6		25	25	745	50	695	40	90	390	295	30	25	59																							
BYT1-180/12	105	120	0.4		0.7	1	0.6		25	30	820	50	765	85	170	420	295	40	30	63																							

*注：具体型号，结构及外形尺寸保留更改的权利。 Note: The size of the specific type and structure should be retained.

DYT系列电液推杆

DYT SERIES ELECTRO-HYDRAULIC PUSHERS

应用 Application

- DYT系列电液推杆是一种集机、电、液为一体的液压驱动机械手，适合于需要往复推拉直线或往复旋转一定角度的运动，也可用于需要上升、下降或夹紧工件的场所，并可实现远距离危险地区的集中和自动控制。广泛用于冶金、矿山、电力、煤炭、机械、交通、化工、水利、建材、运输等部门，是一种通用的动力源。

APPLICATION

- DYT series electro-hydraulic push rod is a set of mechanical, electrical, hydraulic as one of the hydraulic drive manipulators, suitable for reciprocating push-pull straight line or reciprocating rotation of a certain angle of movement, can also be used for the need to rise, fall or clamp work place, can realize the centralized and automatic control of remote dangerous areas. Widely used in the metallurgy, mining, electric power, coal, machinery, transportation, chemical industry, cement, water conservancy, building materials, transportation and other departments, is a general power source.

主要特点 Main Feature

- 结构紧凑、安装方便、占据空间小、维护简单。
- 回路设有双向液压锁，可停在规定行程范围内的任意位置停止并自锁，且保持输出力不变。
- 推拉力、速度（用户要求）无极可调，驱动力范围极广。
- 因故断电，推杆自锁，避免发生事故。
- 采用全液压传动、动作灵敏、运行平稳，能有效缓冲外来冲击力，行程控制精确。
- 机电液一体化全封闭结构，工作油路循环于无压的封闭钢筒里，体积小，不渗油，在恶劣的工作环境下，不吸尘，不进水，内部不锈蚀，使用寿命长。
- 电器控制简单，通过增设各种限位开关，实现远程和危险区域的计算机（PLC）自动控制。

MAIN FEATURE

- Compact structure, easy installation, small occupying space and simple maintenance.
- A two-way hydraulic lock is arranged in the loop, which can be stopped at any position within the prescribed travel range and self locked, and the output force remains unchanged.
- Push pull, speed (user requirements) stepless adjustable, driving force range is very wide.
- Therefore, the power is cut off and the push rod is self locked to avoid accidents.
- It adopts full hydraulic transmission, sensitive action and smooth operation, which can effectively buffer external impact force and precise stroke control.
- Mechanical and hydraulic integrated closed structure, working oil circulation in the pressure free closed steel cylinder, small volume, no oil seepage, in bad working environment, no dust. No water, no corrosion inside, long service life.
- Electrical control is simple. By adding various limit switches, it is easy to realize remote control and dangerous area operation control, and computer (PLC) automatic control.

使用条件 Operating Condition

- 环境温度：-20℃~+50℃
- 相对湿度：空气相对湿度不大于90%
- 电源电压：3相、交流380V、50Hz（其它电源电压下的电流参数请与我们技术人员联系）
- 适应的工作制：S3, 40% 接电持续率

OPERATING CONDITION

- Ambient temperature: -20℃~+50℃
- Relative humidity: The relative humidity of the air is not more than 90%
- Voltagess: AC 3 phases 380V/50Hz (Other voltage can be made as required)
- Operating duty: intermittent (S3, 40%)
- Special requirements can be discussed before production.

DYTZ系列 Series



DYTP系列 Series

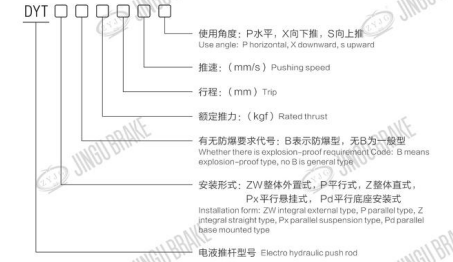
工作原理 Working Principle

- 电液推杆是一种机、电、液一体化的新型柔性传动机构，它以执行机构（油缸）、控制机构（电压控制阀组）和动力源（油泵电机等）组成。根据现场安装空间及用户使用情况电液推杆可以有多种结构形式（具体见电液推杆外形安装尺寸图，也可根据用户要求定制样式）。
- 电动机通过正反转驱动双向液压泵正输出压力油，经液压控制阀送至油缸，实现活塞杆的往复运动。

WORKING PRINCIPLE

- The electro-hydraulic push rod is a new type of flexible transmission mechanism integrating mechanical, electrical and hydraulic. It is composed of actuator (oil cylinder), control mechanism (voltage control valve group) and power source (oil pump motor, etc). According to the on-site installation space and user use, the electro-hydraulic push rod can have a variety of structural forms (see the outline dimension drawing of electro-hydraulic push rod for details). You can also customize the style according to user requirements.
- The motor drives the bidirectional hydraulic pump forward and reverse to output the pressure oil through positive and negative reversals, and sends it to the oil cylinder through the hydraulic control valve to realize reciprocating motion of the piston rod.

订货标记 Order Mark



- 用户对外形尺寸、安装方式如有特殊要求，可按照用户要求设计。
If the user has special requirements for the external dimension and installation method, it can be designed according to the user's requirements.

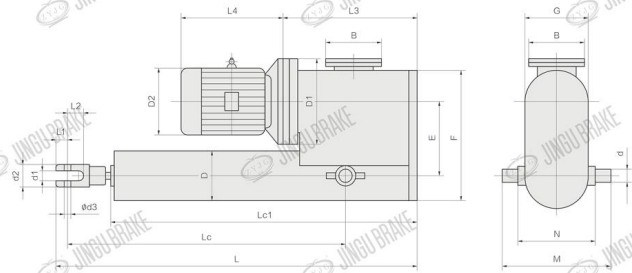
DYT系列电液推杆技术参数 TECHNICAL DATA OF DYT SERIES ELECTRO-HYDRAULIC PUSHER

表一

产品型号 Product type	额定力 Rated force (kgf)		额定速度 Rated speed (mm/s)		电机功率 Motor power (kW)	行程制造范围 Stroke range (mm)	速度制造范围 Speed range (mm/s)
	推力 Thrust force	拉力 Pulling force	推送 Pushing speed	拉速 Pulling speed			
DYT-100	100	75	70/110/185	90/145/245	0.55/0.55/0.55	5-800	0-250
DYT-300	300	200	45/70/115	65/100/145	0.55/0.55/0.75	5-1000	0-250
DYT-450	450	300			0.55/0.75/0.75		
DYT-750	750	500	45/70/100	65/100/165	0.75/1.1/1.1	5-1500	0-150
DYT-1000	1000	700	45/70/100	65/100/165	1.1/1.5/2.2		
DYT-1750	1750	1300			1.5/2.2/2.2	5-1500	0-150
DYT-2500	2500	1900	36/60/97	53/90/144	1.5/2.2/3.0	5-2000	0-100
DYT-3000	3000	2200	45/70	68/108	2.2/3.0		
DYT-4000	4000	3000	35/55	53/85		2.2/3.0	5-2500
DYT-5000	5000	3800	30/45	39/63	3.0/4.0		
DYT-6000	6000	4500				33/52	3.0/4.0
DYT-8000	8000	6500	25/38	33/47	4.0/5.5	5-3000	0-50
DYT-10000	10000	7700					
DYT-15000	15000	11500	24/33	33/42	5.5/5.5	5-3000	0-33
DYT-20000	20000	16000	23	28	5.5		

- 注：具体型号，结构外形尺寸保留更改的权利。 Note: The size of the specific type and structure should be retained.

安装及外形尺寸 Outline And Installation Dimension



型号示例: DYTP450-500/45

• 平行式电液推杆
Parallel electro-hydraulic push rod

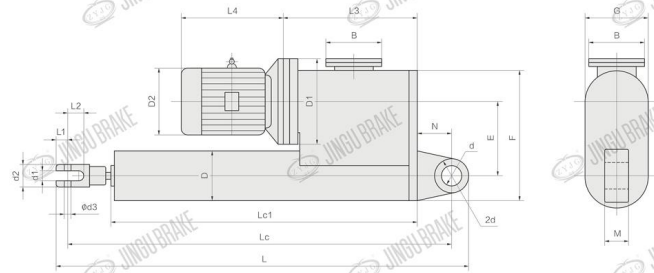
DYTP 系列电液推杆技术参数及外形尺寸 TECHNICAL DATA AND DIMENSIONS OF DYTP SERIES ELECTRO-HYDRAULIC PUSHER

表四

产品型号 Product type	推力 Thrust (kg)	推速 Pushing speed (mm/s)	安装及外形尺寸 Dimension (mm)																			
			Lc	Lc1	L	L1	L2	L3	L4	Ød	d1	Ød2	Ød3	D	D1	D2	M	N	E	F	G	B
DYTP-100	100	70/110/185	83+S	128+S	228+S	17	27	308	246	20	14	30	10	146	200	175	230	180	190	336	146	160
DYTP-300	300	45/70/115	81+S	138+S	253+S	24	30	308	246	20	18	40	12	146	200	175	230	180	190	336	146	160
DYTP-450	450																					
DYTP-750	750	45/70/100	125+S	148+S	303+S	30	45	315	246	30	25	60	20	146	200	175	250	180	190	336	146	160
DYTP-1000	1000																					
DYTP-1750	1750	60/97	125+S	148+S	303+S	30	45	325	286	30	25	60	20	168	200	195	250	180	190	336	146	160
DYTP-2500	2500	45/70																				
DYTP-3000	3000	35/55	155+S	148+S	323+S	40	50	331	316	30	30	70	30	168	250	215	250	180	200	359	168	160
DYTP-4000	4000	30/45																				
DYTP-5000	5000	25/40	155+S	343+S	40	50	334	316	30	40	30	70	30	180	290	210	240	420	180	160	160	
DYTP-6000	6000	25/38																				
DYTP-8000	8000	25/30	200+S	178+S	365+S	42.5	55	341	316	50	35	75	35	219	250	215	330	250	260	475	210	160
DYTP-10000	10000	24/33																				
DYTP-15000	15000	23	200+S	188+S	388+S	50	60	348	391	60	45	85	40	245	300	275	354	254	320	565	245	200
DYTP-20000	20000	18																				

*注: 具体型号, 结构外形尺寸保留更改的权利。 Note: The size of the specific type and structure should be retained.

安装及外形尺寸 Outline And Installation Dimension



型号示例: DYTPX450-500/45

• 平行式电液推杆
Parallel electro-hydraulic push rod

DYTPX 系列电液推杆技术参数及外形尺寸 TECHNICAL DATA AND DIMENSIONS OF DYTPX SERIES ELECTRO-HYDRAULIC PUSHER

表五

产品型号 Product type	推力 Thrust (kg)	推速 Pushing speed (mm/s)	安装及外形尺寸 Dimension (mm)																			
			Lc	Lc1	L	L1	L2	L3	L4	Ød	d1	Ød2	Ød3	D	D1	D2	M	N	E	F	G	B
DYTPX-100	100	70/110/185	281+S	128+S	318+S	17	27	308	246	20	14	30	10	146	200	175	20	70	190	336	146	160
DYTPX-300	300	45/70/115	299+S	138+S	343+S	24	30	308	246	20	18	40	12	146	200	175	20	70	190	336	146	160
DYTPX-450	450																					
DYTPX-750	750	45/70/100	353+S	148+S	413+S	30	45	315	246	30	25	60	20	146	200	175	30	80	190	336	146	160
DYTPX-1000	1000																					
DYTPX-1750	1750	60/97	353+S	148+S	413+S	30	45	325	286	30	25	60	20	168	200	195	30	80	190	336	146	160
DYTPX-2500	2500	45/70																				
DYTPX-3000	3000	35/55	363+S	148+S	433+S	40	50	331	316	30	30	70	30	168	250	215	30	80	200	359	159	160
DYTPX-4000	4000	30/45																				
DYTPX-5000	5000	25/40	363+S	158+S	463+S	40	50	334	316	40	30	70	30	180	250	215	40	90	240	420	180	160
DYTPX-6000	6000	25/38																				
DYTPX-8000	8000	25/30	413+S	178+S	506+S	42.5	55	341	316	50	35	75	35	219	250	215	40	90	260	475	210	160
DYTPX-10000	10000	24/33																				
DYTPX-15000	15000	23	438+S	188+S	548+S	50	60	348	391	60	45	85	40	245	300	275	56	100	320	565	245	200
DYTPX-20000	20000	18																				

*注: 具体型号, 结构外形尺寸保留更改的权利。 Note: The size of the specific type and structure should be retained.

YZ(J) 系列液压站 YZ(J) SERIES HYDRAULIC POWER UNIT

应用 Application

- YZ(J)型液压站主要用于液压夹轨器、液压轮边制动器、安全制动器的配套驱动，也可作为其他单作用油缸的配套驱动。

APPLICATION

- YZ(J) series hydraulic stations are mainly used for matching driving of hydraulic rail clamp, hydraulic wheel brake and safety brake, and also can be used as matching driving of other single-acting cylinders.

主要特点 Main Feature

- 结构紧凑，造型美观，保压性能稳定；
- 多功能复合控制方式，在断电检修时，依靠人力实现上压过程；
- 设有防尘罩，可适应露天作业；
- 主要阀件为座阀，泄漏量少，系统保压性能稳定，电机不需长时间运转。
- 配有手动泵，可在断电、检修时作应急动力源。

MAIN FEATURE

- Compact structure, beautiful appearance and stable pressure retaining performance;
- Multi functional composite control mode, in the power failure maintenance, relying on human to achieve the pressure process;
- Equipped with dust cover, it can adapt to outdoor operation;
- The main valve is seat valve, which has less leakage, stable pressure maintaining performance of the system, and the motor does not need to run for a long time.
- Be equipped with hand pump, which can be used as the emergency power supply when powered off and maintained.

YZ(J)系列液压站技术参数及外形尺寸 TECHNICAL DATA AND DIMENSIONS OF YZ(J) SERIES HYDRAULIC POWER UNIT

液压站型号 Thrustor type	额定压力 Rated power (Mpa)	流量 Flow (L/min)	电动机功率 Power of motor (KW)	H	液压站油量 Hydraulic station flow (L)	电机电源 Motor power supply	重量 Weight (kg)	匹配产品型号 Matching product model
YZ(J)-13-4	13	4	1.1	640	50	AC380V 50Hz	100	YJGQ-16
YZ(J)-10-6	10	6	1.5	640				YJGQ-20
YZ(J)-13-6	13	6	1.5	640				YJGQ-25
YZ(J)-14-9	14	9	2.2	690				SB、SBD等安全制动器
YZ(J)-15-10	15	10	3	690				SB、SBD等安全制动器

注：具体型号，结构及外形尺寸保留更改的权利。 Note: The size of the specific type and structure should be retained.



YZ(J)系列

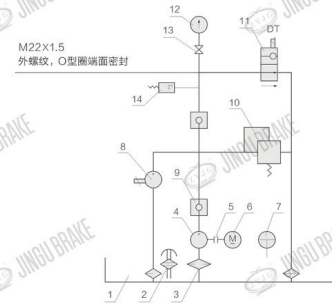
使用条件 Operating Condition

- 环境温度：-10℃~+40℃
- 相对湿度：空气相对湿度不大于90%
- 电机工作电源：三相交流，AC380V、50Hz
- 泵站控制电源：AC220V、50Hz（如需其它电压，请订货时事先说明）。

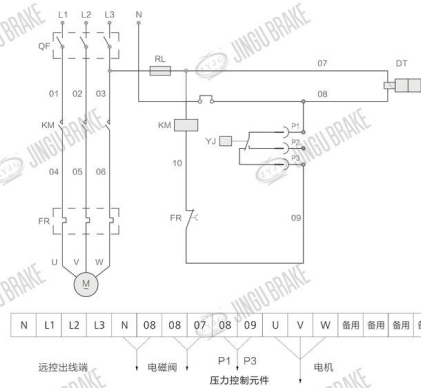
OPERATING CONDITION

- Ambient temperature: -10℃~+40℃
- Relative humidity: The relative humidity of the air is not more than 90%
- Motor power supply: AC3 phase, AC380V, 50Hz
- Control power supply of pump station: AC220 V, 50 Hz

液压站液控图 Hydraulic control diagram of hydraulic station



液压站电控图 Electric control diagram of hydraulic station



型号意义 Model Significance

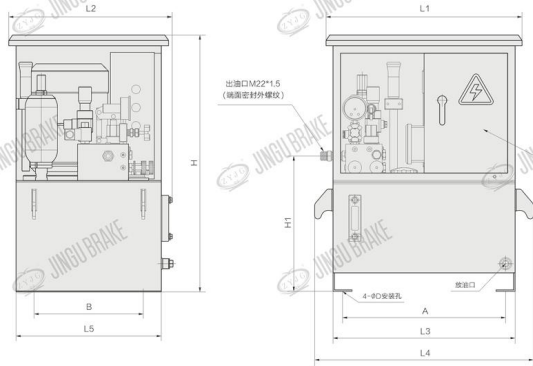


液压站附加功能表 ADDITIONAL FUNCTION TABLE

功能序号 Serial number	名称 Name
1	油箱 Fuel tank
2	空气滤清器 Air filter
3	吸油口滤油器 Oil suction port filter
4	油泵 Oil pump
5	联轴器 Coupling
6	电动机 Motor
7	液位计 Liquid level meter
8	手动泵 Manual pump
9	单向阀 Non return valve
10	溢流阀 Overflow valve
11	电磁换向阀 Electromagnetic reversing valve
12	压力表 Pressure gauge
13	压力表开关 Pressure gauge switch
14	压力继电器 Pressure relay

功能代号 Function code	名称 Name
M	电动机 Motor
KM	交流接触器 AC contactor
FR	热继电器 Thermal relay
YJ	压力继电器 Pressure relay
DT	电磁阀 Electromagnetic valve
RL	熔断器 Fuse
QF	空气开关 Air switch

安装及外形尺寸 Outline And Installation Dimension



• 此液压站仅适用于安全制动器
This hydraulic station is only applicable to the safety brake

液压站用油 Hydraulic station oil

- -10℃ ~ +50℃时，用L-HM32, L-HM46液压油
- -30℃ ~ +50℃时，用L-HV32, L-HV46液压油

HYDRAULIC STATION OIL

- -A10℃ ~ +50℃, use L-HM32, L-HM46 hydraulic oil
- -A130℃ ~ +50℃, use L-HV32, L-HV46 hydraulic oil

YZ系列液压站技术参数 TECHNICAL DATA OF YZ SERIES HYDRAULIC POWER UNIT

表一

液站站型号 Thrustor type	额定压力 Rated power (Mpa)	输出流量 Output flow (L/min)	回油流量 Return oil flow (L/min)	电动机功率 Power of motor (KW)	油箱容积 Tank volume (L)	电磁阀 Solenoid valve		压力继电器触点电容量 Contact capacitance of pressure relay	重量 Weight (kg)
						额定电压	功率		
YZ1-10-10	10	10	20	2.2	40	DC24V	24W	AC220V 5A	42
YZ1-20-10	20	10		3.7					85
YZ2-10-20	10	20	7.5	80	86				
YZ2-20-20	20	20			150				
YZJ-20-20	20	20						150	

YZ系列液压站外形尺寸 DIMENSIONS OF YZ SERIES HYDRAULIC POWER UNIT

表二

液站站型号 Thrustor type	安装及外形尺寸 Dimensions (mm)									
	L1	L2	L3	L4	L5	H	A	B	H1	D
YZ1	540	448	300	600	400	680	440	290	350	12
YZ2	640	548	600	700	500	850	540	440	450	12
YZJ	640	548	600	700	500	750	440	290	350	12

*注：蓄能器充气压力为制动稳定工作压力的75%~90%。 Note: the nitrogen charging pressure of the accumulator is 75%~90% of the rated working pressure of the brake.

• 尊敬的客户，感谢您选用河南金箍制动器的产品，您在使用过程中如出现质量问题，请不要先拆卸零件，应说明具体情况后与我公司的售后服务部联系，说明现象后，确认问题的所在，以便我们更好的为您服务。

Dear clients, thank you for choosing products of Henan JINGU brakes. If you come across any quality problems during your use, please do not demount accessories and should report specific circumstances to our after-sales department so that we are able to offer better service for you.

- 型号规格: Model and specification

出厂日期: Ex-factory date

产品编号: Item No.

已使用时间: Time used

使用场合和主机名称: Name of host machine

主机生产单位: Production unit of host machine

- 用户单位: User unit

地址: Add

电话: Tel

传真: Fax

邮编: P.C

联系人: Contact person

- 产品质量反馈: Quality feedback

• 金箍制动器售后服务电话 Tel: 0373-872 8888 872 9999

传真 Fax: 0373-873 6332

企业官方网站: www.hnjgzdq.cn

JINGU Brakes after-sales service

